

GP Shift

EXPLODED VIEW

OEM SHIFT JOINT

(DIRECTION REVERSED)

RIGHT HANDED  
M6 HEIM JOINT  
H-103HJ

F-117BH  
M6 X 25mm  
(THIS BOLT IS  
ONLY  
FOR GP SHIFT)

RS198CK  
6.75" SHIFT ROD

M6 LEFT  
HANDED NUT  
F-102NW

LEFT HANDED  
M6 HEIM JOINT  
H-102HJ

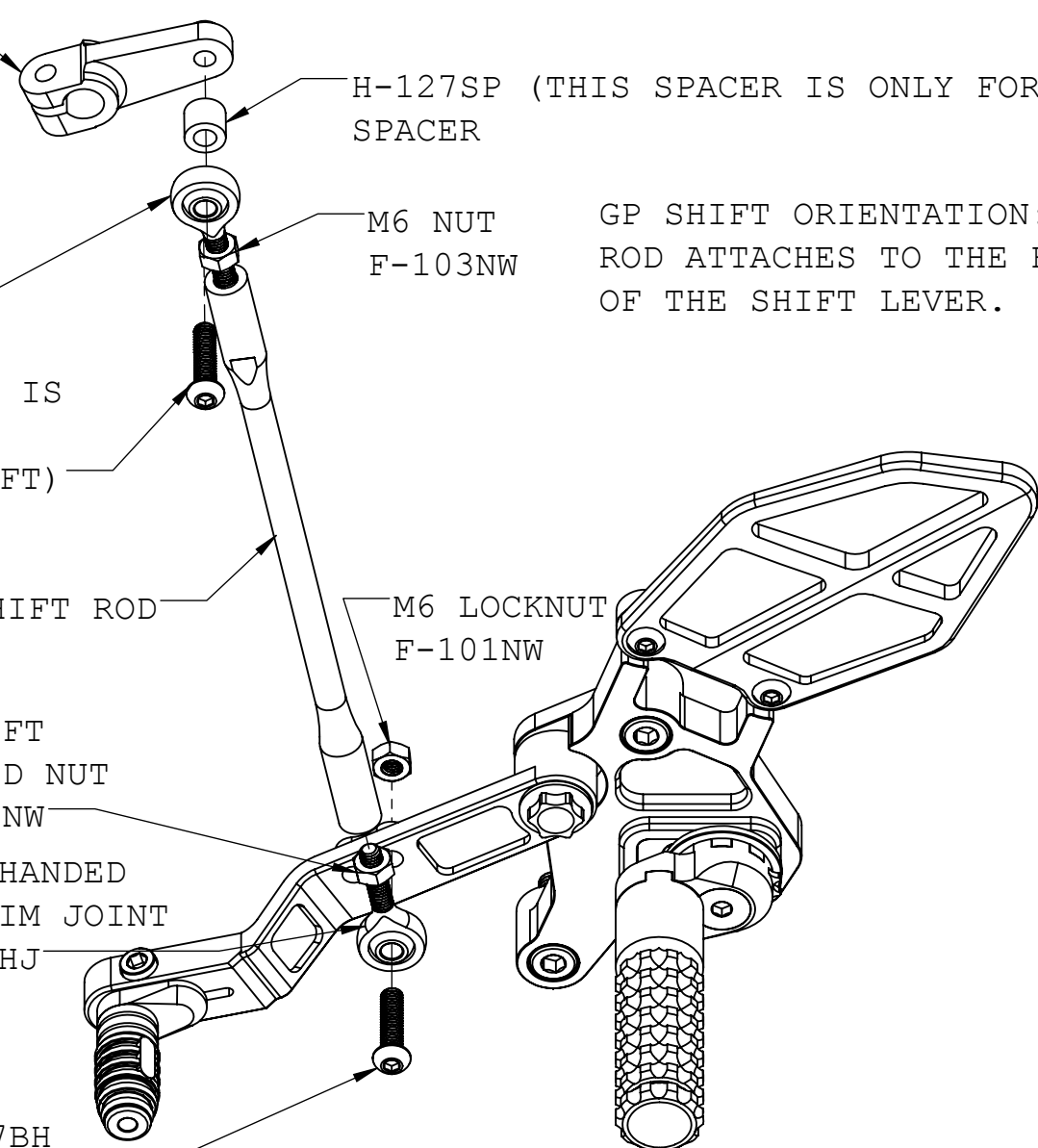
F-117BH  
M6 X 25mm

H-127SP (THIS SPACER IS ONLY FOR GP SHIFT)  
SPACER

M6 NUT  
F-103NW

M6 LOCKNUT  
F-101NW

GP SHIFT ORIENTATION:  
ROD ATTACHES TO THE FRONT  
OF THE SHIFT LEVER.



INDEX



LUBRICATE



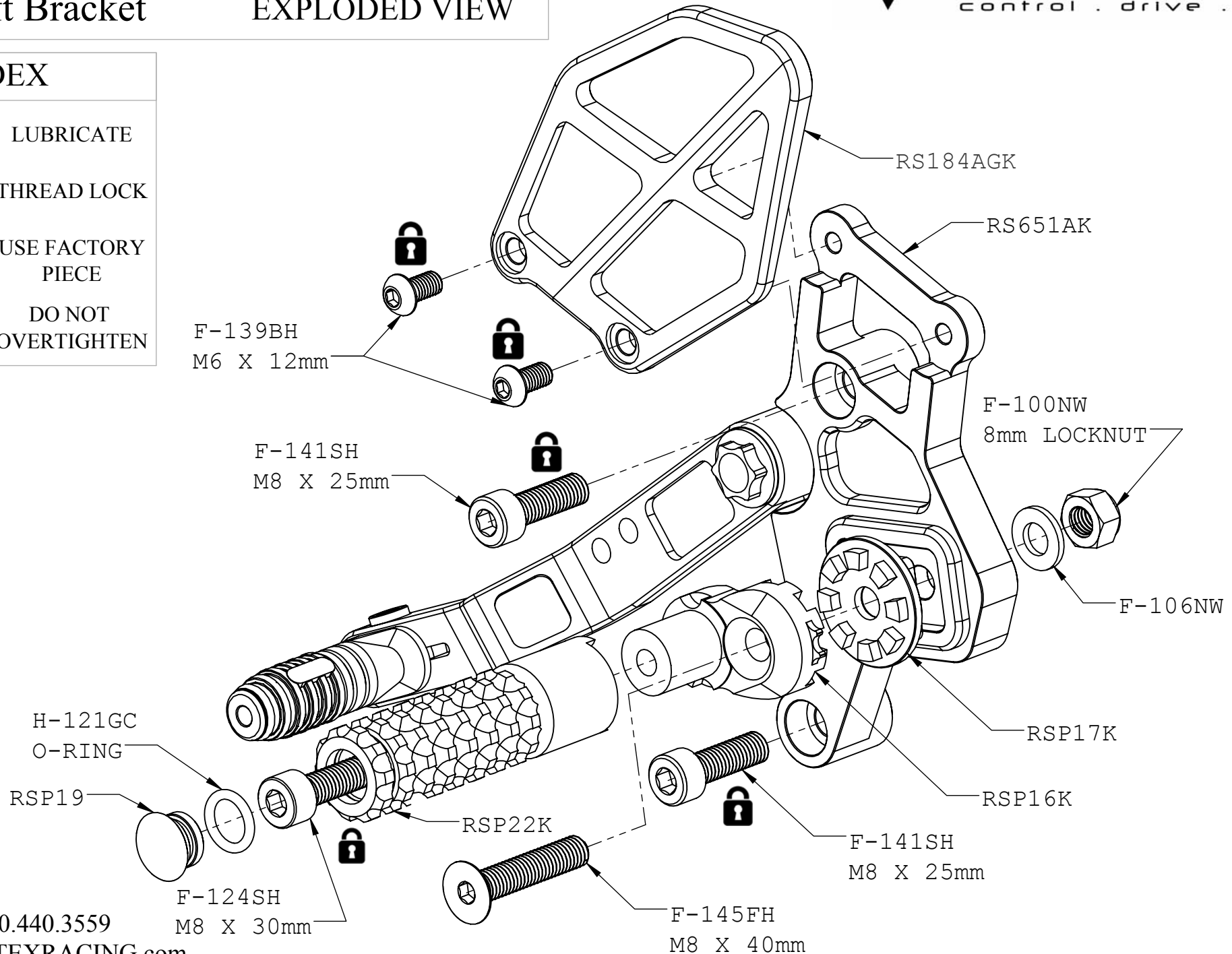
THREAD LOCK

**OEM**

USE FACTORY  
PIECE



DO NOT  
OVERTIGHTEN



INDEX



LUBRICATE



THREAD LOCK

**OEM**

USE FACTORY  
PIECE



DO NOT  
OVERTIGHTEN

