



YOSHIMURA

RESEARCH&DEVELOPMENT OF AMERICA, INC.

5420 DANIELS STREET STE A, CHINO CA., 91786 · (800)634-9166 · (909)628-4722 · FACSIMILE (909)591-2198

www.yoshimura-rd.com

RS-3 OVAL PERFORMANCE EXHAUST SYSTEM

KAWASAKI
'98-02 ZX-6R
2005-2008 ZZR600

ZX64950

SS RACE BOLT- ON SYSTEM

ZX649502

CF RACE BOLT- ON SYSTEM

ZX64950-TI

TI RACE BOLT- ON SYSTEM



NOTE: IN THE STATE OF CALIFORNIA, IT IS ILLEGAL TO MODIFY THE EMISSION CONTROL SYSTEM, WHICH INCLUDES THE CARBURETORS OF ANY VEHICLE.

Caution: Exhaust system can be extremely hot. Let motorcycle cool down before beginning installation.

Note: Read through all instructions before beginning installation.

Tools Needed:

12mm and 14mm sockets
3/8" ratchet
17mm wrench
Torque wrench

Installation Steps:

- 1 Remove stock muffler and muffler gasket.
(See Fig.1 for fastener locations.)
- 2 Install new muffler gasket.
(Not supplied - Kawasaki part no. 11060-1813)
- 3 Install Yoshimura muffler using supplied bolts.
(See Fig.2) Torque bolts to 2.3 kg-m (16.5 lb-ft).
- 4 Remove the steel insert from rubber grommet on muffler hanger bracket and replace with supplied aluminum spacer. (See Fig. 3)
- 5 Apply heat insulator to the inside of muffler clamp then slide clamp onto muffler.
(Note direction of clamp in Fig. 3)
- 6 Mount clamp to the outside stock muffler bracket using supplied bolt and nut. (see Fig. 2&3)
Torque bolt to 2.5 kg-m (18 lb-ft).
- 7 Before starting motorcycle, check for proper clearance between new muffler and motorcycle. (i.e. swing-arm, passenger foot-peg, rear wheel, etc.) If any problem is found, please carefully follow through the installation steps again. If problem still persists, please call Yoshimura tech. Dept. at (800)634-9166 / in CA (909)628-4722

Note: After starting motorcycle, it is normal for new exhaust system to smoke until oil residue burns off.

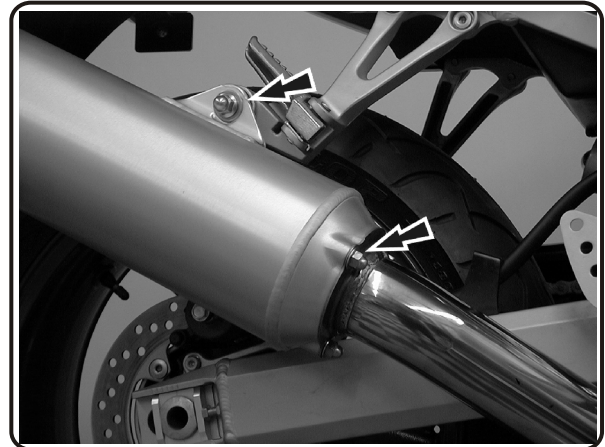


Fig. 1

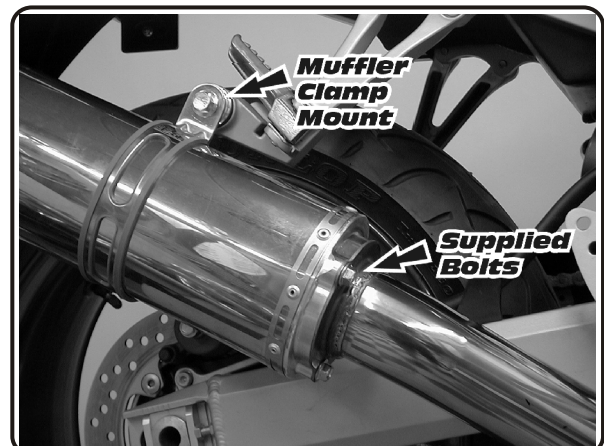


Fig. 2

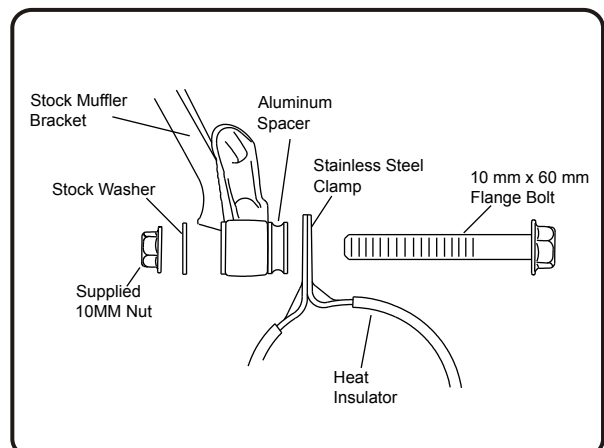
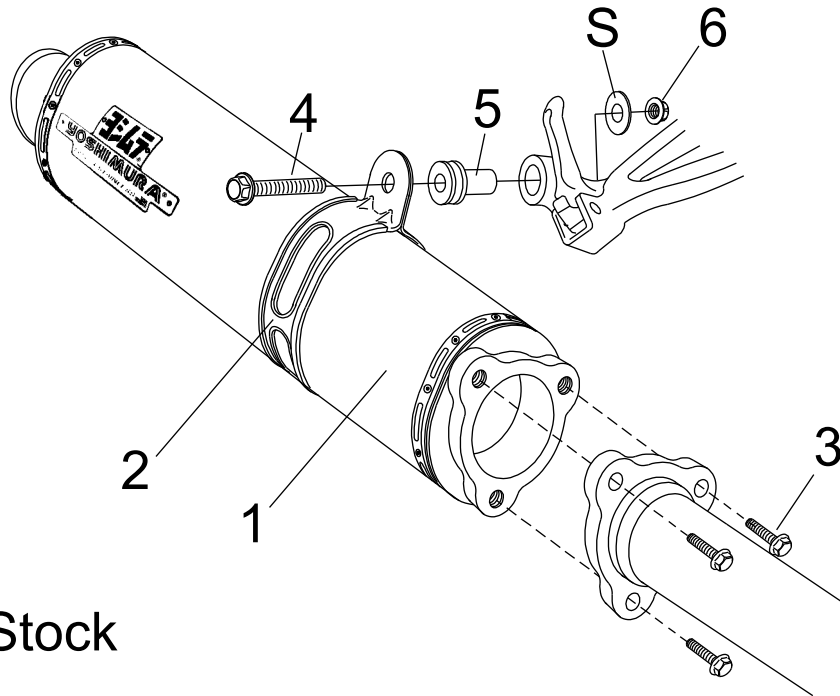


Fig. 3

#ZX649S0(2, TI)

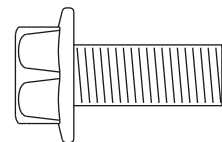


S = Stock

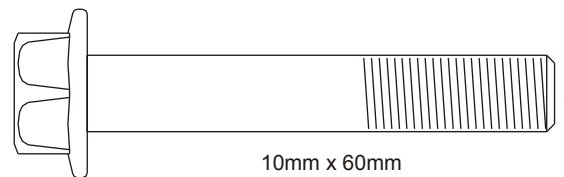
Parts Diagram

NO.	DESCRIPTION	QTY	PART #
1	RS-3 Oval Muffler Assembly	1	**
2	Stainless Steel Muffler Clamp Stainless Steel or Titanium Sleeve uses Carbon Fiber Sleeve uses	1	COS450S10ALX COS450S10AL
3	20mm Flange Head Bolt	3	M8X20H
4	60mm Flange Head Bolt	1	M10x60H
5	Aluminum Spacer	1	10X32X25SP
6	Flange Nut	1	10MMFNUT
**	Muffler Clamp Heat Insulator	1	HT SHLDTRS
**	Yoshimura Vinyl Sticker	2	17028-BLK

Nuts and Bolts Guide (Actual Size):



8mm x 20mm
Flange Hex Bolt



10mm x 60mm
Flange Hex Bolt