



YOSHIMURA

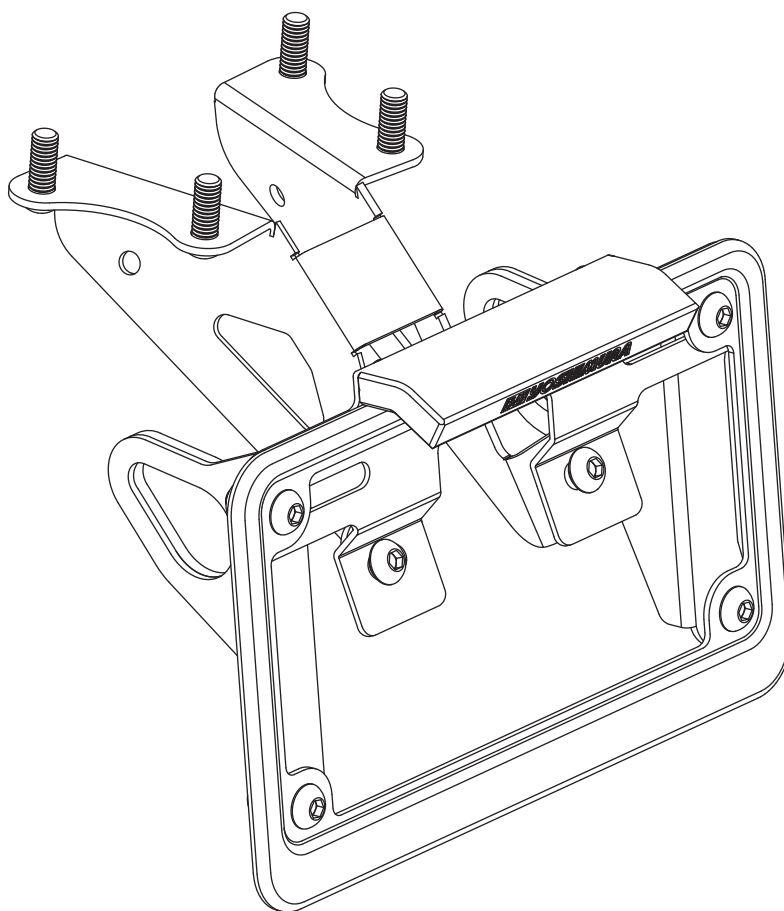
RESEARCH&DEVELOPMENT OF AMERICA, INC.

5420 DANIELS STREET STE A, CHINO CA., 91710 · (800)634-9166 · (909)628-4722 · FACSIMILE (909)591-2198

www.yoshimura-rd.com

FENDER ELIMINATOR KIT

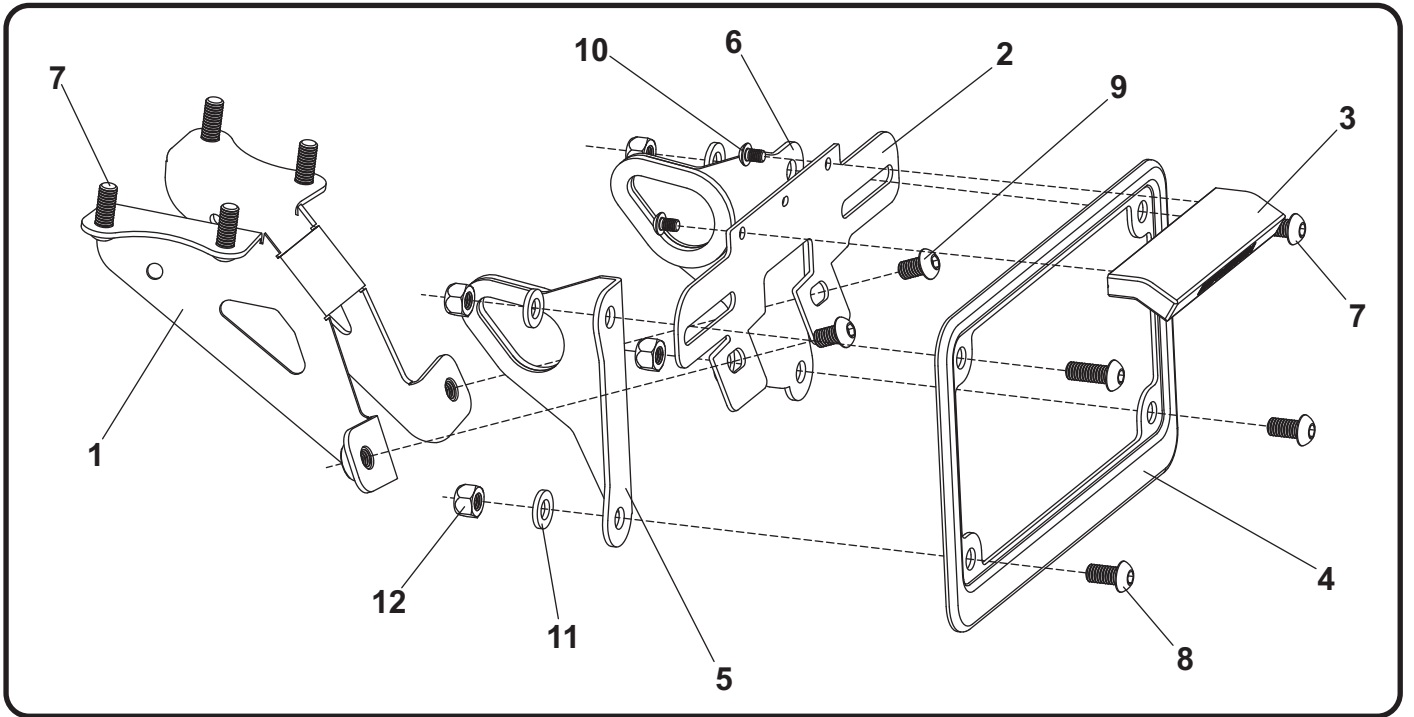
070BG139900
Yamaha FZ-09
FJ-09



THIS PRODUCT IS NOT DOT APPROVED.

Yoshimura R&D of America, Inc. is not liable or responsible for any resulting event caused by the installation of this product. Check with local laws and regulations for compliance prior to installation and use. This product is not intended for use on public highways.





No.	Item	Description	Qty.
1	13990-FEBKT	Fender Eliminator Bracket	1
2	12200-FEBKT	License Plate bracket	1
3	070BG-LH-K	LED License Plate Light	1
4	070BG-LPF	License Plate Frame	1
5	13630-TSBL-00	Left Turn Signal Bracket	1
6	13630-TSBR-00	Right Turn Signal Bracket	1
7	M6X16BHS	6mm x 16mm Button Head Screw	6
8	M6X12BHS	6mm x 12mm Button Head Screw	2
9	M6X10BHS	6mm x 10mm Button Head Screw	2
10	M4X6BHS	4mm x 6mm Button Head Screw	2
11	6MMWASHER	6mm Washer	4
12	6MMLN	6mm Nylon Lock Nut	4
**	94785-01-ND	Butt Connectors	2
**	ZT-300	Cable Ties	3
**	17029	Yoshimura Sticker Sheet	1

Removal

Important Follow (X)a. for FJ-09 model.

1. Remove rider seat.
 - 1a. Remove passenger seat for FJ-09.
2. Remove left and right rear side cover as per Factory Service/Owners Manual.
 - 2a. Skip to removal step 4.
3. Remove the four bolts securing the seat bracket plate to the frame.
 - 3a. Skip to removal step 4.
4. Disconnect the license plate light and rear turn signal connectors.
5. While supporting the stock fender assembly, remove the four nuts securing the fender assembly to the frame.

Note: Take precaution when removing the stock fender assembly and avoid snagging the stock license plate light and turn signal connectors as they will be re-used.

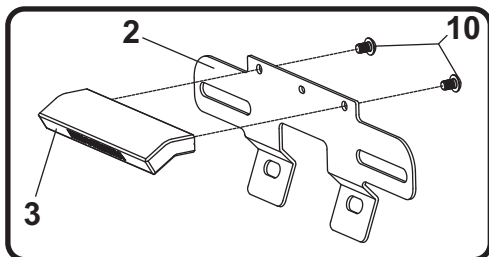
6. Remove the plastic key hole cover from the stock fender assembly.

Note: Key hole cover will be modified and re-used. Do not damage during disassembly.

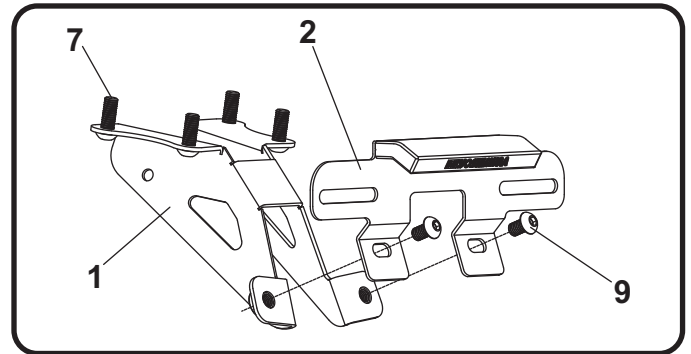
- 6a. Skip to removal step 7.
7. Remove left and right turn signals from the stock fender assembly.
8. Cut the stock license plate light connector from the stock fender assembly. Be sure to cut at least a 6" section of wire from the connector.

Installation

1. Install (No. 3) *070BG-LH-K*, Yoshimura license plate light onto (No. 2) *12200-FEBKT*, Yoshimura license plate bracket using (No. 10) *M4X6BHS*, 4mm button head screws provided in the kit.



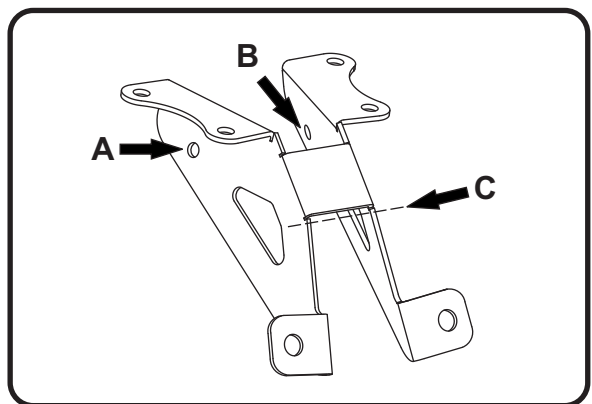
2. Install (No. 1) *13990-FEBKT*, fender eliminator bracket using (No. 7) *M6X16BHS*, 6mm button head screws along with the stock nuts.
3. Install (No. 2) *12200-FEBKT*, license plate bracket onto (No. 1) *13990-FEBKT*, fender eliminator bracket using (No. 9) *M6X10BHS*, 6mm button head screws as shown in the diagram below.



4. Install the stock plastic key hole cover onto (No. 1) *13990-FEBKT*, fender eliminator bracket by inserting the key hole cover pins into holes **A** and **B**.

Note¹: Mark and trim the plastic key hole cover stem to the dotted line **C** as shown below.

Note²: Check fitment and function of plastic key hole cover. Confirm that the plastic key hole cover is secure. If required, adjust *13900-FEBKT*, fender eliminator bracket by pinching the two sides and tightening the four mounting screws.

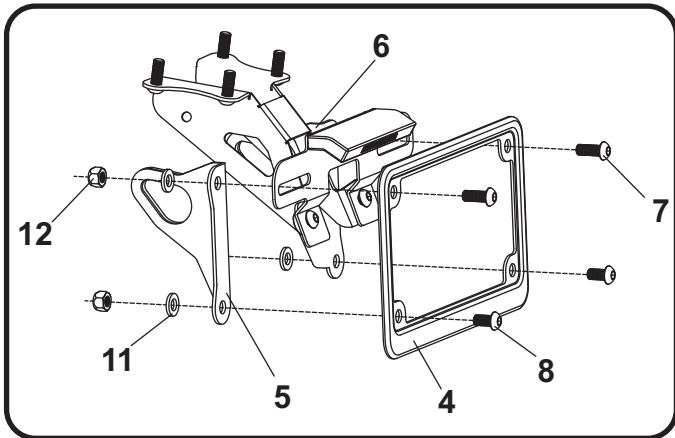


- 4a. Skip to installation step 5.

5. Using the *94785-01-ND* butt connectors provided in the kit, connect the Yoshimura license plate light wires to the stock license plate light wires as follows:

Blue Wire -to- Red
Black Wire -to- Black

6. Install stock left and right turn signals onto (No. 5,6) *13630-TSBL/R-00*, turn signal brackets.
7. Install (No. 5,6) *13630-TSBL/R-00*, turn signal brackets and (No. 4) *070BG-LPF*, license plate frame using the (No. 7,8) *M6X16BHS* and *M6X12BHS*, 6mm button head screws as shown below.



8. Route wires between the stock key hole cover and (No. 1) *13990-FEBKT*, fender eliminator bracket and under the seat.
- 8a. Skip to installation step 9.
9. Reconnect left and right turn signal and license plate light wires.
10. Re-install seat.
11. Check for proper function of license plate light, turn signals, brake light, and that all brackets and components are secure prior to riding.