



YOSHIMURA

RESEARCH&DEVELOPMENT OF AMERICA, INC.

5420 DANIELS STREET STE A, CHINO CA., 91710 · (800) 634-9166 · (909) 628-4722 · FAX (909) 591-2198

www.yoshimura-rd.com

Street Series

Qualified Manufacturer Declared "Replacement Part"

2017

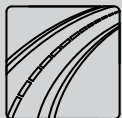
SUZUKI SV650

11670BM220 (CF/CF)

11670BM520 (SS/CF)

Works Finish

Alpha Stainless Steel Slip-On



All Street Series systems are:

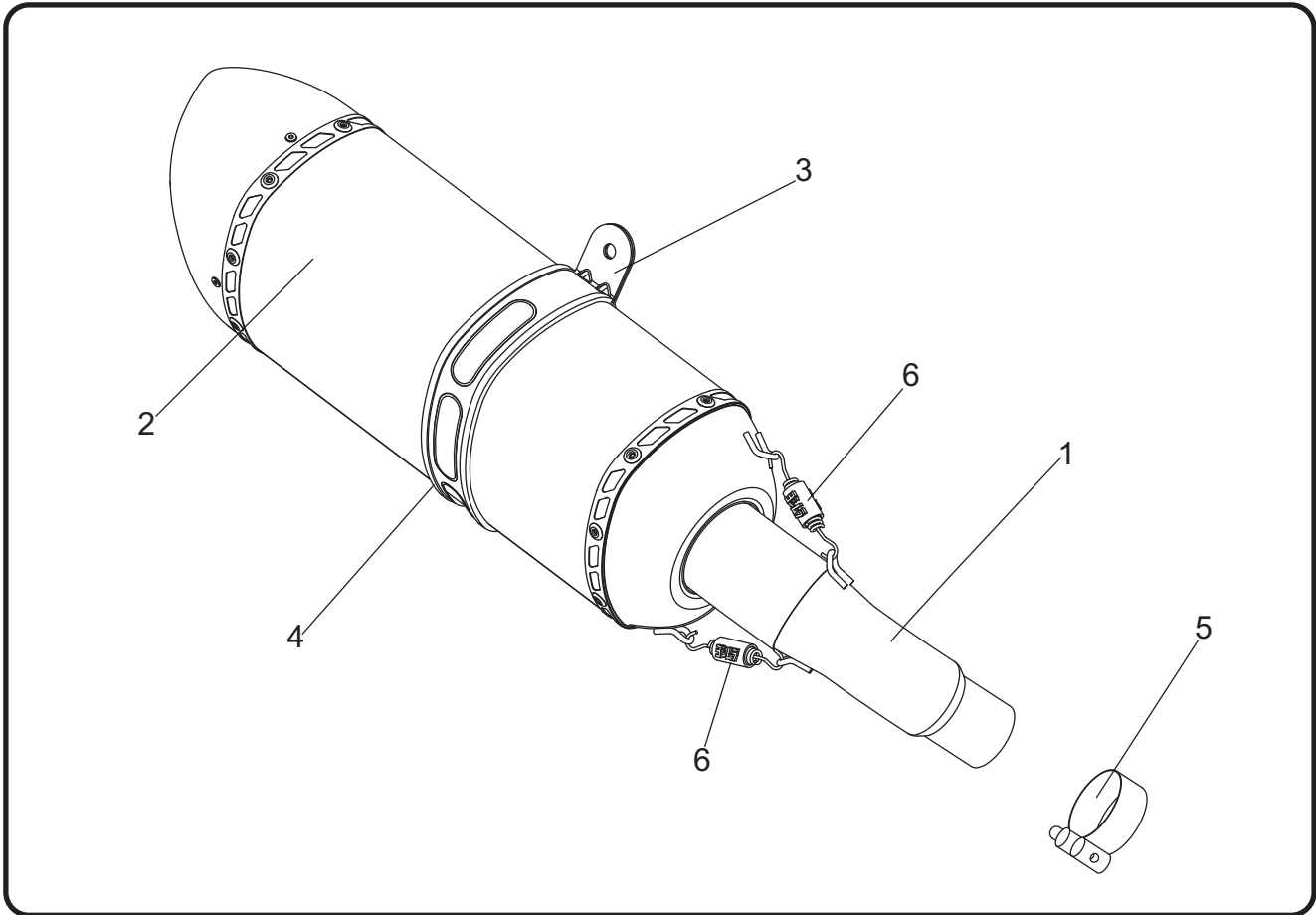
- Slip-on/Bolt-on applications that do not require tampering with the vehicle's emissions control system.
- CARB/EPA tail-pipe emissions compliant.
- Marked with appropriate EPA noise labels.
- Not tested for EPA new vehicle noise compliance.



✘ You must know how to remove and replace your stock exhaust in order to install this product otherwise have it installed by a professional mechanic. Keep all stock parts from your existing system as some components may be necessary to install your new Yoshimura exhaust depending on the application. Read through all instructions before beginning installation. Exhaust system can be extremely hot. Let motorcycle cool down before beginning installation. Always wear hand and eye protection and take precautionary measures to avoid injury. ✘

NOTE: IN THE STATE OF CALIFORNIA, IT IS ILLEGAL TO MODIFY THE EMISSION CONTROL SYSTEM, WHICH INCLUDES THE CARBURETORS OF ANY VEHICLE.

Assembly Diagram



No.	Item	Description	Qty.
1	11670-435	Yoshimura Tailpipe	1
2	****	Signature Series Muffer	1
3	MCYM5-GCBX(-X)	Muffer Clamp	1
4	HT SHLDR77	Muffer Clamp Heat Insulator	1
5	22057	Exhaust Clamp	1
6	RACE-SPS-1	Medium Exhaust Spring	2
**	INS-20-K	Low Volume Sound Insert	1
**	ST-200	Spring Puller Tool	1
**	17029	Sticker Sheet	1

** Not shown on diagram.

(-X) For use with Stainless Steel canister.

**** Signature Series muffer replacement part number unavailable. Repair or replacement of Signature Series exhaust systems is only available directly through Yoshimura R&D of America, Inc.

CAUTION: Exhaust system can be extremely hot. Let motorcycle cool down before beginning installation. Always wear hand and eye protection and take precautionary measures to avoid injury.

WARNING: Always properly support vehicle with a stand and/or lift when servicing or performing any work. Unstable vehicles may present dangerous conditions and may cause property damage and/or personal injury.

NOTE: Read through all instructions before beginning installation.

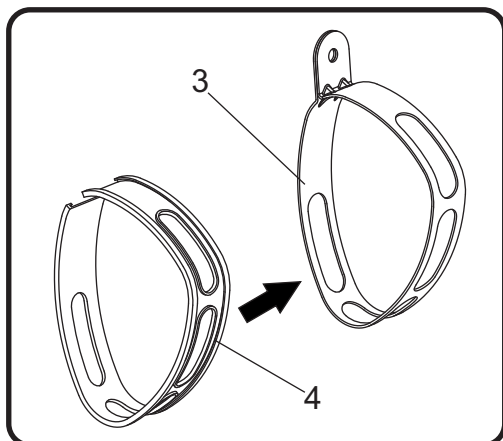
Removal

1. Loosen the exhaust clamp between the muffler and header.
2. While securely supporting the stock muffler, remove the muffler mount bolt and carefully remove the stock muffler assembly.

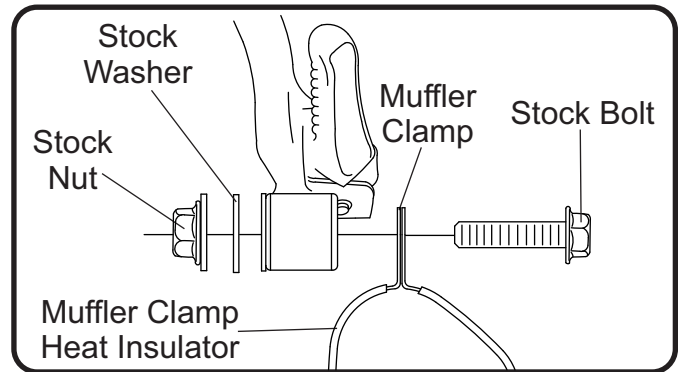
Note: The stock exhaust gasket will not be re-used with the Yoshimura system.

Installation

1. Install (No. 4) *HT SHLDR77*, muffler clamp heat insulator onto (No. 3) *MCYM5-GCBX(-X)*, muffler clamp.



2. Slide (No. 5) 22057, exhaust clamp over (No. 1) 11670-435, tailpipe inlet. Install (No. 1) 11670-435, tailpipe inlet over the stock header outlet.
3. Slide (No. 3) *MCYM5-GCBX(-X)*, muffler clamp over (No. 2) *muffler*. Align and secure muffler to the front side of the stock muffler mount using the stock bolt, washer, and nut.



4. Standing at the back of the motorcycle, check for proper alignment of the muffler and adjust if necessary.

Note: To adjust, it may be necessary to rotate the muffler and tailpipe independently. Removal of muffler springs may ease adjustment.

5. Torque muffler mount bolt to factory specification.
6. Torque (No. 5) 22057, exhaust clamp to 8.5 Nm (0.85 kg-m, 6 ft-lb).
7. Before starting vehicle, check for proper clearance between new exhaust system and rear suspension (i.e. tire, swingarm, brakes, rear shock, and etc.) If any problem is found, please carefully follow through the installation steps again. If problem still persists, please call Yoshimura Tech Department at (800) 634-9166 / in CA (909) 628-4722.
8. It is recommended that the muffler and tailpipe be wiped down with rubbing alcohol to remove oil and fingerprints. This will help prevent tarnishing of the finish after the exhaust is heated up.

Note: After starting motorcycle, it is normal for new exhaust system and muffler to emit smoke until oil residue burns off.

Works Finish Care & Maintenance

Before starting vehicle, clean pipe thoroughly using a soft cloth and rubbing alcohol to remove any oil and finger prints.

The color of the exhaust will change once the system has gone through a heat cycle of 15 minutes or more. Color will vary depending on lean/rich conditions.

Clean using a soft cloth and soap. Do not use abrasive materials as it will scratch the surface.

Surface reconditioning services are available to remove scratches and undesirable discoloration due to extreme heat. Contact Yoshimura Tech Department at (800) 634-9166 / in CA (909) 628-4722 for more information.