



# YOSHIMURA

RESEARCH&DEVELOPMENT OF AMERICA, INC.

5420 DANIELS STREET STE A, CHINO CA., 91710 · (800) 634-9166 · (909) 628-4722 · FAX (909) 591-2198

[www.yoshimura-rd.com](http://www.yoshimura-rd.com)

## **RACE SERIES**

Qualified Manufacturer Declared "Modified Part"

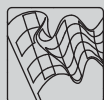
**2006~2013**

**Yamaha FZ1**

**1321002 (CF/CF)**

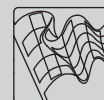
**R-77 Stainless Steel Full-System**

**FOR CLOSED COURSE COMPETITION ONLY; NOT INTENDED FOR STREET USE**



Race Series systems are:

- NOT CARB/EPA tail-pipe emissions compliant.
- NOT street legal.
- For "Closed Course Competition" use only.



*You must know how to remove and replace your stock exhaust in order to install this product otherwise have it installed by a professional mechanic. Keep all stock parts from your existing system as some components may be necessary to install your new Yoshimura exhaust depending on the application. Read through all instructions before beginning installation. Exhaust system can be extremely hot. Let motorcycle cool down before beginning installation. Always wear hand and eye protection and take precautionary measures to avoid injury.*



NOTE: IN THE STATE OF CALIFORNIA, IT IS ILLEGAL TO MODIFY THE EMISSION CONTROL SYSTEM, WHICH INCLUDES THE CARBURETORS OF ANY VEHICLE.

**Caution:** Exhaust system can be extremely hot. Let motorcycle cool down before beginning installation.

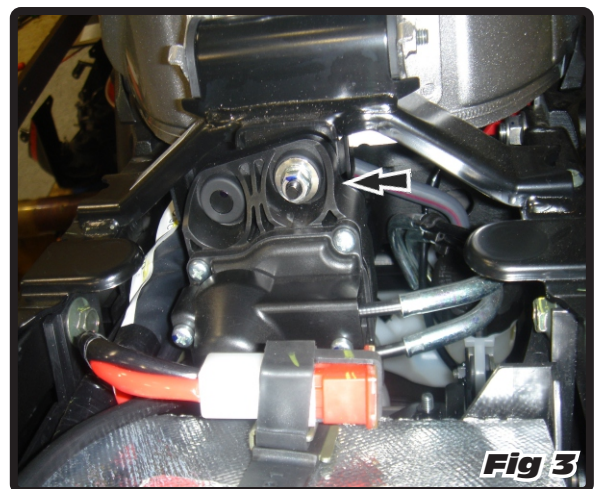
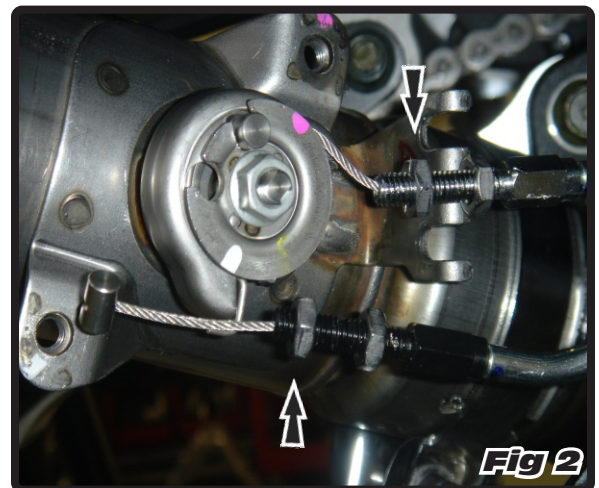
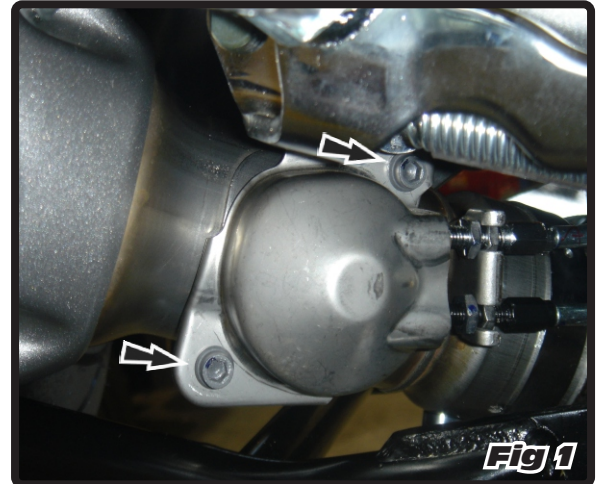
**Note:** Read through all instructions before beginning installation.

## Tools Needed:

Metric Socket Set  
3/8" Ratchet and Extension  
Torque Wrench  
Metric Combination Wrench Set  
Metric Allen Wrench Set

## Installation Steps:

1. Place the motorcycle on rear stand.
  2. Remove the passenger and rider seats.
  3. Remove the stock centerstand as it will not be used with the Yoshimura system.
  4. Locate and remove the cover shielding the exhaust valve by removing the two 5mm Allen head bolts (see Fig. 1).
  5. Loosen and remove both cables from the exhaust valve by loosening the lock nuts (see Fig. 2).
  6. Locate the exhaust valve controller at the rear of the fuel tank and remove the exhaust valve controller by removing the one nut holding it in place. Remove the shield and cables from the exhaust controller. Remove the exhaust valve cables from the motorcycle. Reinstall the shield and exhaust valve controller back into the stock location (see Fig. 3).
- NOTE:** Do not disconnect any electrical wires from the exhaust valve controller. The exhaust valve controller must remain plugged in electrically. Only remove the exhaust valve cables.
7. Remove stock O2 sensor.
  8. Loosen the lower stock exhaust clamp (see Fig. 4).



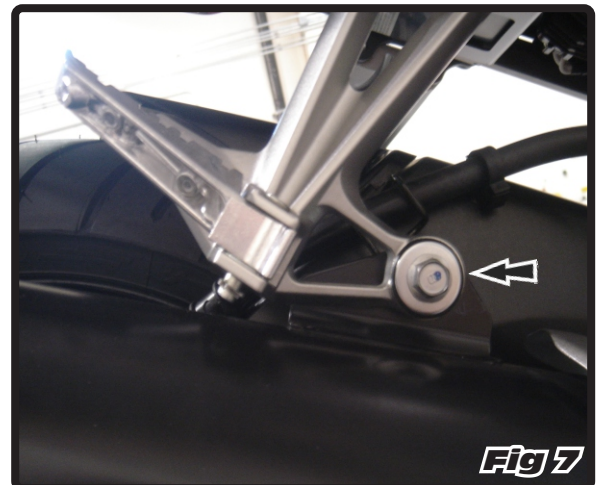
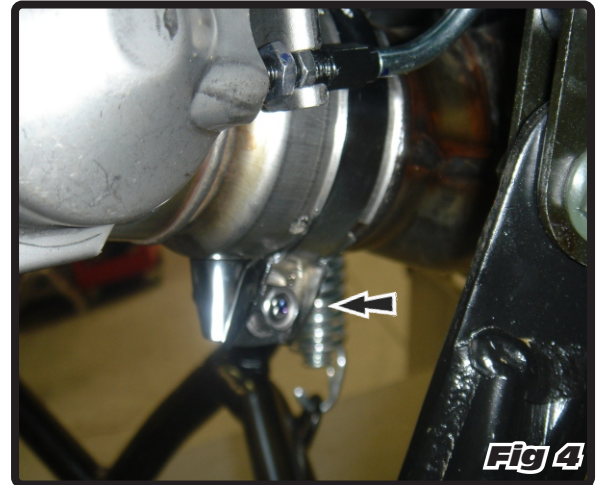
9. Remove the stock upper muffler mounting bolt and remove the stock muffler (see Fig 7).
10. Remove the lower fairing by removing four bolts.
11. Remove the stock header by removing the stock header nuts and header mounting bolt.
12. Remove the old stock exhaust port gaskets and install new stock exhaust port gaskets (new stock exhaust port gaskets are not included).

**NOTE:** This Yoshimura full system is designed to be installed with the stock exhaust port gaskets.

13. Install the Yoshimura Header. Insert the stock header mounting bolt and supplied 8mm nut. Do not tighten at this time.

**NOTE:** To ease the installation of header, remove the springs that hold the header together. Pull the header apart slightly before installing it. After all of the bolts are installed, reinstall the springs and tap the header lightly with a rubber mallet to seat each leg into the collectors.

14. Install the supplied slotted rubber heat insulator to the inside of the stainless steel muffler clamp and trim off any excess rubber.
15. Slide the stainless steel muffler clamp with rubber heat insulator onto the Yoshimura muffler.
16. Install the Yoshimura tailpipe and muffler onto the Yoshimura header.
17. Mount muffler clamp to the inside of the stock muffler mount location using the stock bolt, stock washer, and supplied 10mm nut (see Parts Diagram on page 5).
18. Install the header-to-tailpipe springs.
19. Reinstall stock O2 sensor.

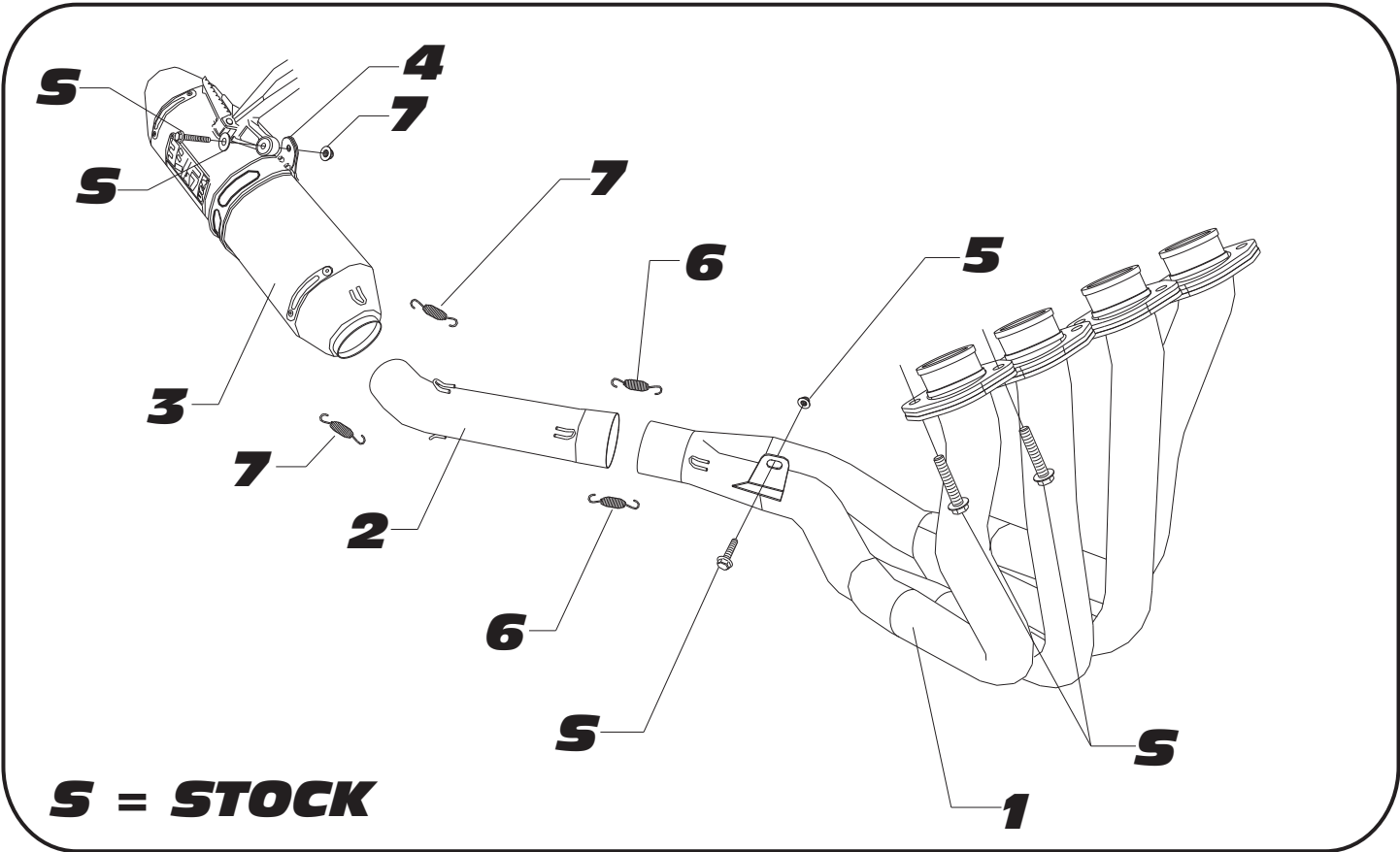




20. *Check the exhaust system orientation and adjust as necessary. Torque the stock header nuts to 2.3 kg-m (16 lb-ft).*
21. *Torque the stock header mount bolt and stock muffler mount bolt to 2.5 kg-m (18 lb-ft).*
22. *It is recommended that the entire exhaust system be wiped down with rubbing alcohol to remove oil and fingerprints. This will help prevent tarnishing of the finish after the exhaust is heated up.*
23. *Reinstall the lower fairing.*
24. *Check the clearance between the header and bodywork. If the header is installed correctly, the header should NOT touch the bodywork. If the header still touches the bodywork, loosen all of the header and tailpipe bolts and adjust the exhaust system until the header does not touch the bodywork.*
23. *Before starting the motorcycle, check for proper clearance between the new exhaust system and the motorcycle (i.e. radiator, oil pan, swing-arm, etc.). If any problem is found, please carefully follow through the installation steps again. If the problem still persists, please call the Yoshimura technical department at (800)634-9166 or (909)628-4722 in California.*

**NOTE:** *After starting the motorcycle, it is normal for a new exhaust system to smoke until the oil residue burns off.*

**#132100(2,5,7)**



Parts Diagram

NO.	DESCRIPTION	QTY	PART #
1	Yoshimura Stainless Steel Header	1	1321-401
2	Yoshimura Stainless Steel Tailpipe	1	1321-419
3	Yoshimura TRC Race Muffler Carbon Fiber Sleeve Stainless Steel Sleeve Titanium Sleeve	1	CRR77146W SRR77146W TRR77146W
4	Stainless Steel Muffler Clamp Carbon Fiber Sleeve uses Stainless Steel or Titanium Sleeve uses	1	1321-MPCA 1321-MPCAX
5	8mm Flange Nut	1	8MMNUT
6	Medium Exhaust Springs	6	RACE-SPS-1
7	82MM Exhaust Springs	2	RACE-82MM
8	10mm Flange Nut	1	10MMFNUT
**	Slotted Rubber Heatshield for Stainless Steel Muffler Clamp	1	HT SHLDR77
**	Yoshimura Spring Puller Tool	1	ST-200
**	Yoshimura Vinyl Sticker	1	17029