



YOSHIMURA

RESEARCH & DEVELOPMENT OF AMERICA, INC.

5420 DANIELS STREET STE A, CHINO CA., 91710 · (800) 634-9166 · (909) 628-4722 · FACSIMILE (909) 591-2198

www.yoshimura-rd.com

RACE SERIES

Qualified Manufacturer Declared "Modified Part"

2017

Yamaha FZ-10

13100CP520 (SS/CF)

13100NP720 (TI/CF)

Alpha Taper 3/4 System

FOR CLOSED COURSE COMPETITION ONLY; NOT INTENDED FOR STREET USE



Race Series systems are:

- NOT CARB/EPA tail-pipe emissions compliant.
- NOT street legal.
- For "Closed Course Competition" use only.

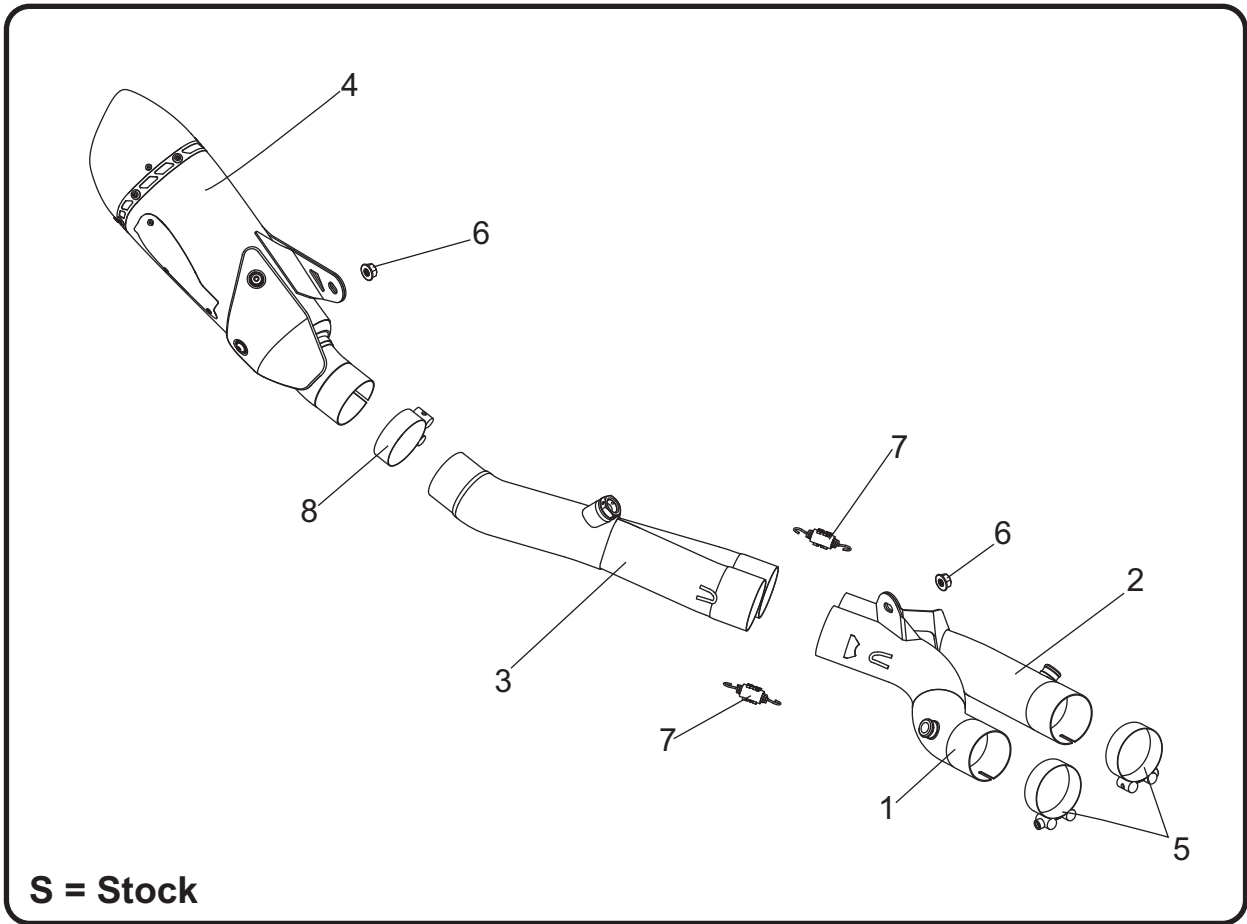


You must know how to remove and replace your stock exhaust in order to install this product otherwise have it installed by a professional mechanic. Keep all stock parts from your existing system as some components may be necessary to install your new Yoshimura exhaust depending on the application. Read through all instructions before beginning installation. Exhaust system can be extremely hot. Let motorcycle cool down before beginning installation. Always wear hand and eye protection and take precautionary measures to avoid injury.



NOTE: IN THE STATE OF CALIFORNIA, IT IS ILLEGAL TO MODIFY THE EMISSION CONTROL SYSTEM, WHICH INCLUDES THE CARBURETORS OF ANY VEHICLE.

Assembly Diagram



No.	Item	Description	Qty.
1	13100-410-R 13100-710-R	Yoshimura SS RH Midpipe Yoshimura Ti RH Midpipe	1
2	13100-410-L 13100-710-L	Yoshimura SS LH Midpipe Yoshimura Ti LH Midpipe	1
3	13100-413 13100-713	Yoshimura SS Tailpipe Yoshimura Ti Tailpipe	1
4	13100BP520-RMA 13100MP720-RMA	SS/CF Muffler Assembly Ti/CF Muffler Assembly	1
5	27-64MSH	Exhaust Clamp	2
6	8MMNUT	8mm Flange Nut	2
7	RACE-SPS-1	Medium Exhaust Spring	2
8	27-66M	Exhaust Clamp	1
**	INS-20-K	Low Volume Sound Insert	1
**	M18X9PLG	O2 Bung Plug	1
**	ST-200	Spring Puller Tool	1
**	17029	Sticker Sheet	1

** Not shown on diagram.

CAUTION: Exhaust system can be extremely hot. Let motorcycle cool down before beginning installation. Always wear hand and eye protection and take precautionary measures to avoid injury.

WARNING: Always properly support vehicle with a stand and/or lift when servicing or performing any work. Unstable vehicles may present dangerous conditions and may cause property damage and/or personal injury.

NOTE: Read through all instructions before beginning installation.

Removal

1. Remove the muffler and header heatshields.
2. Remove the muffler exhaust clamp.
3. While securely supporting the stock muffler, remove the muffler mount bolt and carefully remove the stock muffler assembly.
4. Remove the two O2 sensors from the pre-muffler chamber assembly.
5. Disconnect and remove exhaust valve cables from the pre-muffler chamber assembly.

Note¹: Exhaust valve cables will not be used with the Yoshimura 3/4 system. Remove exhaust valve cables from servo motor.

Note²: Do not disconnect servo motor connector.

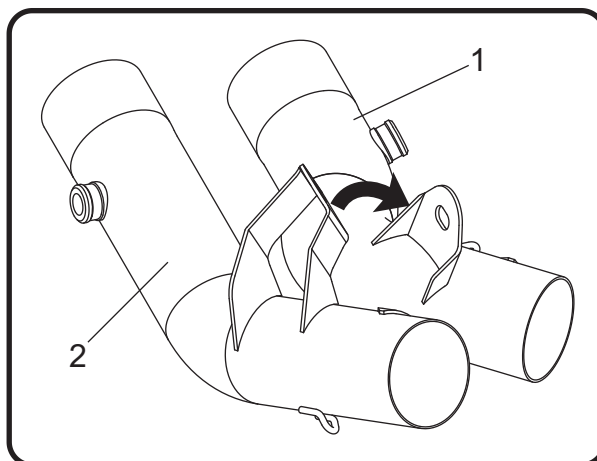
6. Remove the three chassis mount bolts securing pre-muffler chamber assembly to frame.
7. While securely supporting the pre-muffler chamber assembly, loosen the two exhaust clamps between the header and carefully remove pre-muffler chamber assembly.

Note: The stock exhaust gaskets will not be used with the Yoshimura 3/4 system.

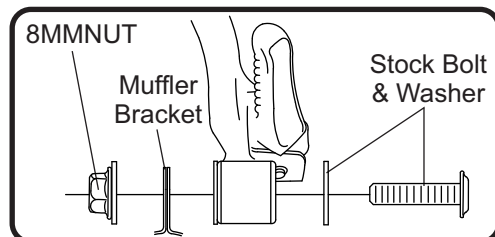
Installation

1. Install (No. 5) 27-64MSH, exhaust clamp onto (No. 1,2) 13100-410/710-L/R, left and right midpipe inlets. Do not torque at this time.
2. Install (No. 1,2) 13100-410/710-L/R, left and right midpipe onto header outlet and align chassis mount bracket to chassis.

Note: Installing the left and right midpipe simultaneously by interlocking both chassis mount brackets may ease installation.



3. Secure left and right midpipe to chassis using the stock bolt, washer and provided (No.6) 8MMNUT, nut as shown on the assembly diagram. Do not torque at this time.
 4. Install (No. 3) 13100-413/713, tailpipe onto (No. 1,2) 13100-410/710-L/R, midpipe outlet.
 5. Install (No. 8) 27-66M, exhaust clamp over (No. 4) muffler inlet.
 6. Install (No. 4) muffler over (No. 3) 13100-413/713, tailpipe and align muffler bracket to the backside of the stock muffler mount.
- Note: If necessary, loosen the stock muffler mount bracket and right footpeg bracket bolts to align Yoshimura muffler bracket.
7. Secure (No. 4) muffler, using the stock bolt, washer, and (No. 6) 8MMNUT, flange nut.



8. Torque muffler mount bolt to factory specification.

Note: If muffler mount bracket bolts and right footpeg bracket bolts were loosened for alignment adjustment, torque to factory specification.

9. Torque (No. 5 & 8) *27-64MSH* & *27-66M*, exhaust clamps to 8.5 Nm (0.86kg-m, 6 ft-lb).
10. Install (No. 7) *RACE-SPS-1*, medium exhaust spring between tailpipe and midpipe using the supplied *ST-200*, spring puller tool.
11. Torque midpipe chassis mount bolt to factory specification.
12. Re-install the stock O2 sensors into Yoshimura left and right midpipes. Torque to factory specification.
13. Before starting vehicle, check for proper clearance between new exhaust system and rear suspension (i.e. tire, swingarm, brakes, rear shock, and etc.) If any problem is found, please carefully follow through the installation steps again. If problem still persists, please call Yoshimura Tech Department at (800) 634-9166 / in CA (909) 628-4722.
14. It is recommended that the muffler and tailpipe be wiped down with rubbing alcohol to remove oil and fingerprints. This will help prevent tarnishing of the finish after the exhaust is heated up.

Works Finish Care & Maintenance

Before starting vehicle, clean pipe thoroughly using a soft cloth and rubbing alcohol to remove any oil and finger prints.

The color of the exhaust will change once the system has gone through a heat cycle of 15 minutes or more. Color will vary depending on lean/rich conditions.

Clean using a soft cloth and soap. Do not use abrasive materials as it will scratch the surface.

Surface reconditioning services are available to remove scratches and undesirable discoloration due to extreme heat. Contact Yoshimura Tech Department at (800) 634-9166 / in CA (909) 628-4722 for more information.