



YOSHIMURA

RESEARCH&DEVELOPMENT OF AMERICA, INC.

5420 DANIELS STREET STE A, CHINO CA., 91710 · (800) 634-9166 · (909) 628-4722 · FAX (909) 591-2198

www.yoshimura-rd.com

RACE SERIES

Qualified Manufacturer Declared "Modified Part"

2007~2008

SUZUKI GSX-R1000

1117302 (CF/CF)

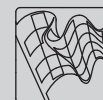
R-77 Stainless Steel Slip-On

FOR CLOSED COURSE COMPETITION ONLY; NOT INTENDED FOR STREET USE



Race Series systems are:

- NOT CARB/EPA tail-pipe emissions compliant.
- NOT street legal.
- For "Closed Course Competition" use only.



You must know how to remove and replace your stock exhaust in order to install this product otherwise have it installed by a professional mechanic. Keep all stock parts from your existing system as some components may be necessary to install your new Yoshimura exhaust depending on the application. Read through all instructions before beginning installation. Exhaust system can be extremely hot. Let motorcycle cool down before beginning installation. Always wear hand and eye protection and take precautionary measures to avoid injury.



NOTE: IN THE STATE OF CALIFORNIA, IT IS ILLEGAL TO MODIFY THE EMISSION CONTROL SYSTEM, WHICH INCLUDES THE CARBURETORS OF ANY VEHICLE.

Caution: *Exhaust system can be extremely hot. Let motorcycle cool down before beginning installation.*

Note: *Read through all instructions before beginning installation.*

Tools Needed:

Metric Socket Set
Ratchet and Extension
Metric Combination Wrench Set
Metric Allen Wrench Set
Torque Wrench

Installation Steps:

- 1 Remove stock right side tailpipe heatshield (see Fig. 1).
- 2 Loosen left and right stock collector clamps (see Fig. 2 and 3).
- 3 Unbolt and remove left and right stock mufflers from passenger foot rest mounts.
- 4 Remove left and right fairings.
- 5 Unscrew O2 Sensor. Remove stock underbelly muffler and stock underbelly mounting brackets.
- 6 Install rubber heat insulator to inside of Yoshimura muffler clamp and slide muffler clamp over Yoshimura muffler.
- 7 Slide exhaust collector clamp over the inlet of the Yoshimura tailpipe and install Yoshimura tailpipe and muffler onto the stock header. Install stock O2 sensor into Yoshimura Tailpipe.
- 8 Bolt muffler to the right stock muffler mount location using stock muffler mount hardware.
- 9 Bolt tailpipe to chassis mount using the stock bolt and supplied washer and nut (see Parts Diagram on the last page).
- 10 Torque muffler and chassis mount bolts to 2.3 kgf-m (16.5 lb-ft).
- 11 Torque exhaust collector clamp to 1.25 kgf-m (9 lb-ft).
- 12 It is recommended that the muffler and tailpipe be wiped down with rubbing alcohol to remove oil and fingerprints. This will help prevent tarnishing of the finish after the exhaust is heated up.
- 13 Reinstall the left and right side fairings.
- 14 Check for proper clearance between new exhaust system and motorcycle. (i.e. Swing-arm, body work, etc.) If any problem is found, please carefully follow through the installation steps again. If problem still persists, please call Yoshimura technical department at (800)634-9166 / in CA (909)628-4722.

Note: After starting motorcycle, it is normal for new exhaust system and muffler to smoke until oil residue burns off.

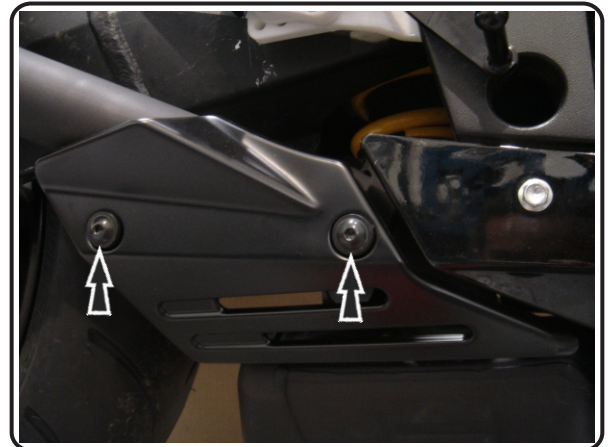


Fig. 1



Fig. 2

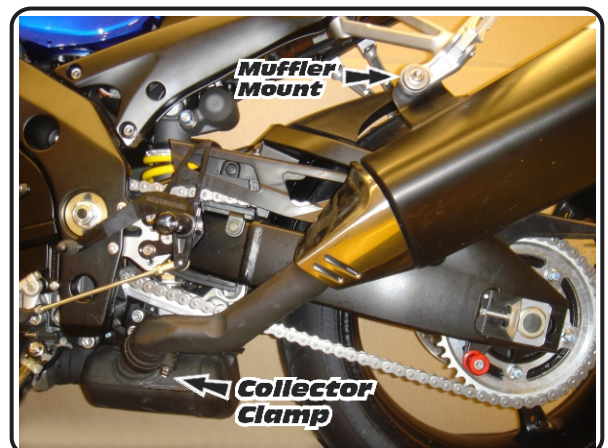
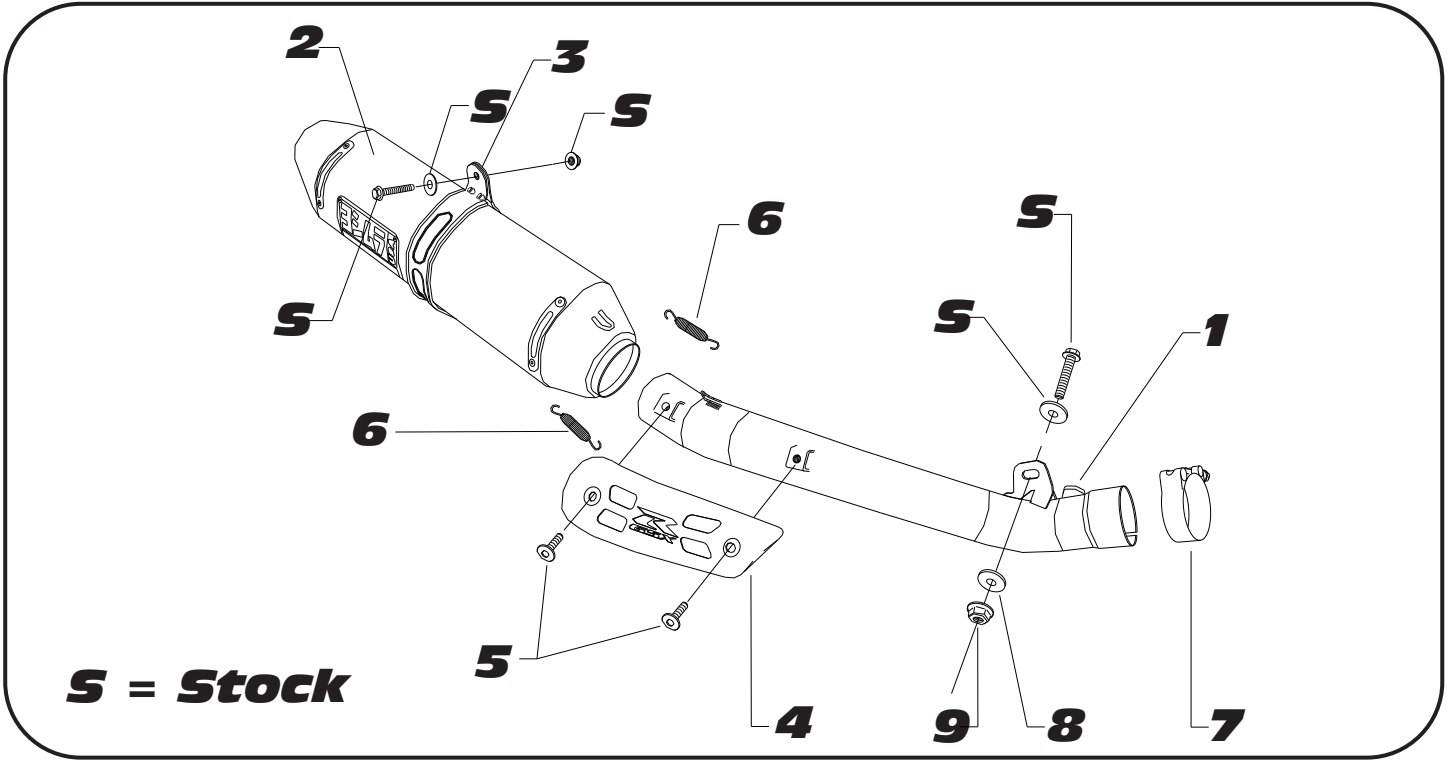


Fig. 3

#111730(2,5,6,7)



Parts Diagram

S = Stock

NO.	DESCRIPTION	QTY	PART #
1	Yoshimura Tailpipe	1	1117-435
2	Yoshimura R77 Muffler with Carbon Fiber Sleeve with Stainless Steel Sleeve with SS Sleeve and SS Endcap with Titanium Sleeve	1	CRR77146W SRR77146W SRR77146W-SS TRR77146W
3	Stainless Steel Muffler Clamp Stainless Steel or Titanium Sleeve use Carbon Fiber Sleeve use	1	1121-MPCR 1121-MPCR
4	Yoshimura Heatshield	1	1117-HSR
5	Heatshield Mounting Bolts	2	RC116HSB
6	82MM Exhaust Spring	2	RACE-82MM
7	Exhaust Collector Clamp	1	20067
8	Large Washer	1	8MMWASHERL
9	8mm Nut	1	8MMNUT
**	Muffler Clamp Heat Insulator	1	HT SHLDR77
**	Spring Puller Tool	1	ST-200
**	Yoshimura Vinyl Sticker	1	17029