



# YOSHIMURA

RESEARCH&DEVELOPMENT OF AMERICA, INC.

5420 DANIELS STREET STE A, CHINO CA., 91710 · (800)634-9166 · (909)628-4722 · FACSIMILE (909)591-2198

[www.yoshimura-rd.com](http://www.yoshimura-rd.com)

## TRI-OVAL PERFORMANCE EXHAUST SYSTEM

### SUZUKI

**01-03 GSX-R600**

**00-03 GSX-R750**

**01-04 GSX-R1000**

**1115462**

TRS RACE BOLT-ON MUFFLER WITH CARBON FIBER

**1115465**

TRS RACE BOLT-ON MUFFLER WITH STAINLESS STEEL

**1115467**

TRS RACE BOLT-ON MUFFLER WITH TITANIUM

**1115435**

R22 RACE BOLT-ON MUFFLER WITH TITANIUM



**THIS PRODUCT IS DESIGNED FOR USE IN CLOSED COURSE RACING AND IS NOT INTENDED FOR HIGHWAY USE.**



NOTE: IN THE STATE OF CALIFORNIA, IT IS ILLEGAL TO MODIFY THE EMISSION CONTROL SYSTEM. WHICH INCLUDES THE CARBURETORS OF ANY VEHICLE.

**Caution:** Exhaust system can be extremely hot. Let motorcycle cool down before beginning installation.

**Note:** Read through all instructions before beginning installation.

### **Tools Needed:**

12mm socket  
3/8" ratchet and extension  
12mm and 14mm wrench  
Torque wrench

### **Installation Steps:**

- 1 Remove stock muffler and gasket. (See Fig.1)
- 2 Loosen tail-pipe bolt at chassis mount (See Fig.1)
- 3 Install new muffler gasket.  
(Not supplied - Suzuki part no. 14181-02F00)
- 4 Install Yoshimura muffler using supplied bolts.  
Torque bolts to 2.5 kg-m (18 lb-ft).
- 5 Apply heat insulator to inside of muffler clamp and slide clamp onto muffler. (Note direction of clamp in Fig. 3)
- 6 Mount clamp to inside of stock muffler bracket using stock bolt, washer, and nut. (see Fig. 3)  
Torque bolt to 2.3 kg-m (16 lb-ft)
- 7 Tighten tail-pipe bolt at chassis mount.  
Torque bolt to 2.5 kg-m (18 lb-ft)
- 8 Before starting the motorcycle, check for proper clearance between new muffler and motorcycle. (i.e. swing-arm, passenger foot-peg, rear wheel, etc.) If any problem is found, please carefully follow through the installation steps again. If problem still persists, please call Yoshimura tech. Dept. at (800)634-9166 / in CA (909)628-4722.

**Note:** After starting motorcycle, it is normal for new muffler to emit smoke until oil residue burns off.

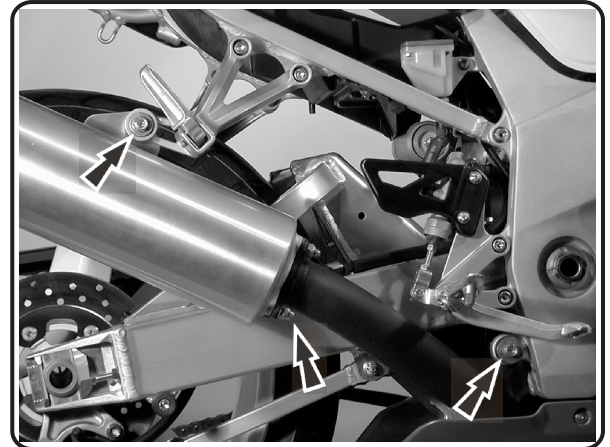


Fig. 1

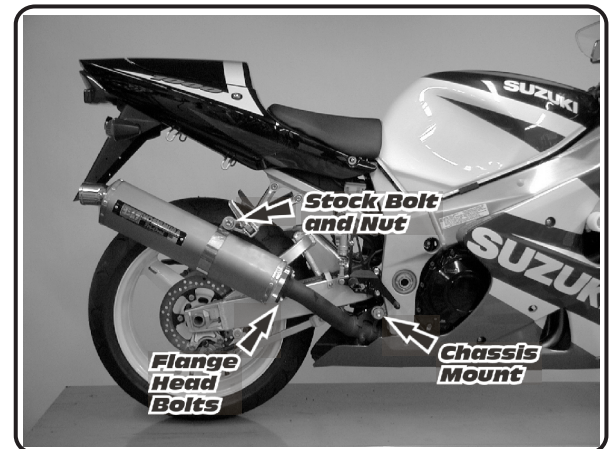


Fig. 2

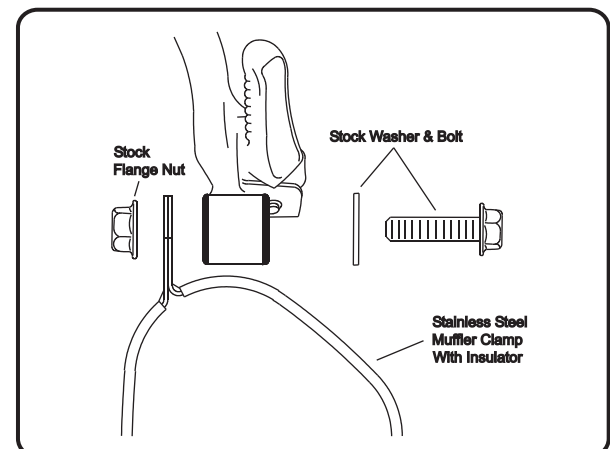
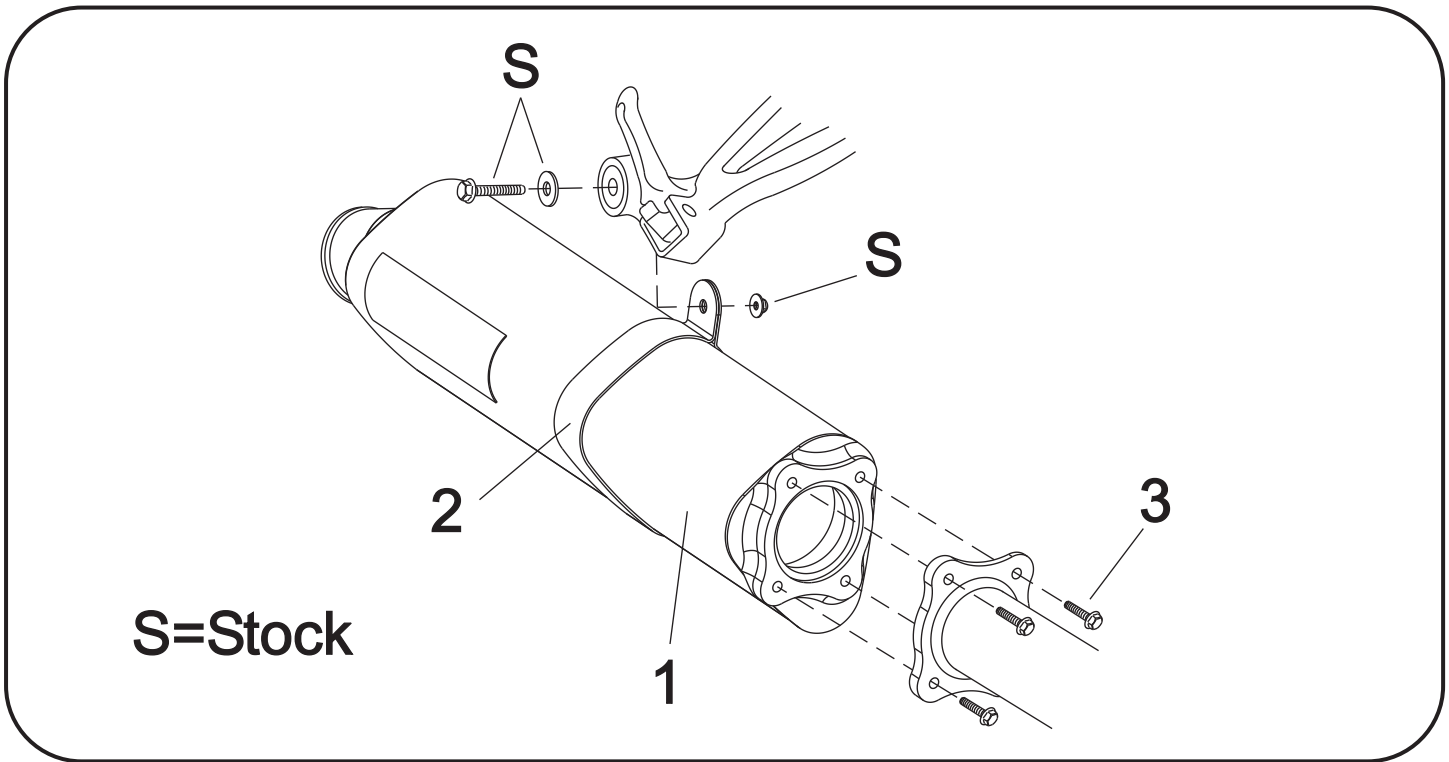


Fig. 3



**#111546 (2,5,7) / #1115435**

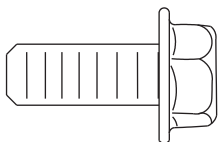


**S=Stock**

Parts Diagram

NO.	DESCRIPTION	QTY	PART #
1	Tri-Oval Muffler Assembly	1	**
2	TRS Stainless Steel Muffer Clamp Stainless Steel or Titanium Sleeve use Carbon Fiber Sleeve use	1	CTS082X CTS082
3	8mm x 20mm Flange Hex Bolt	4	M8X20H
**	TRS Heat Insulator	1	HT SHLDTRS
**	TRS Insert Kit	1	TRS-INS-BK
**	Yoshimura Vinyl Sticker	2	17028-BLK

**Nuts and Bolts Guide (Actual Size):**



8mm x 20mm  
Flange Hex Bolt