



YOSHIMURA

RESEARCH & DEVELOPMENT OF AMERICA, INC.

5420 DANIELS STREET STE A, CHINO CA., 91710 · (800) 634-9166 · (909) 628-4722 · FAX (909) 591-2198

www.yoshimura-rd.com

Street Series

Qualified Manufacturer Declared "Replacement Part"

2004~2005

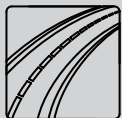
SUZUKI GSX-R600/750

1108462 (CF)

1108465 (SS)

1108467 (Ti)

TRS Stainless Steel Bolt-On



All Street Series systems are:

- Slip-on/Bolt-on applications that do not require tampering with the vehicle's emissions control system.
- CARB/EPA tail-pipe emissions compliant.
- Marked with appropriate EPA noise labels.
- Not tested for EPA new vehicle noise compliance.



You must know how to remove and replace your stock exhaust in order to install this product otherwise have it installed by a professional mechanic. Keep all stock parts from your existing system as some components may be necessary to install your new Yoshimura exhaust depending on the application. Read through all instructions before beginning installation. Exhaust system can be extremely hot. Let motorcycle cool down before beginning installation. Always wear hand and eye protection and take precautionary measures to avoid injury.



NOTE: IN THE STATE OF CALIFORNIA, IT IS ILLEGAL TO MODIFY THE EMISSION CONTROL SYSTEM, WHICH INCLUDES THE CARBURETORS OF ANY VEHICLE.

Caution: Exhaust system can be extremely hot. Let motorcycle cool down before beginning installation.

Note: Read through all instructions before beginning installation.

Tools Needed:

12mm socket
Ratchet and extension
12mm and 14mm wrench
Torque wrench

Installation Steps:

- 1 Remove stock muffler and gasket. (See Fig.1)
- 2 Loosen tail-pipe bolt at chassis mount (See Fig.1)
- 3 Install new muffler gasket.
(Not supplied - Suzuki part no. 14181-02F00)
- 4 Install Yoshimura muffler using supplied bolts. Torque bolts to 2.5 kg-m (18 lb-ft).

Note: If you are looking directly at the four holes that connect the tailpipe to the muffler, the 16mm bolt will be used in the upper left corner. Use the 20mm bolts for the remaining 3 bolt holes.

- 5 Apply heat insulator to inside of muffler clamp and slide clamp onto muffler. (Note direction of clamp in Fig. 3)
- 6 Mount clamp to outside of stock muffler bracket using stock bolt, washer, and nut. (see Fig. 3)
Torque bolt to 2.3 kg-m (16 lb-ft)
- 7 Tighten tail-pipe bolt at chassis mount. Torque bolt to 2.5 kg-m (18 lb-ft)
- 8 Before starting the motorcycle, check for proper clearance between new muffler and motorcycle. (i.e. swing-arm, passenger foot-peg, rear wheel, etc.) If any problem is found, please carefully follow through the installation steps again. If problem still persists, please call Yoshimura tech. Dept. at (800)634-9166 / in CA (909)628-4722.

NOTE: After starting motorcycle, it is normal for new muffler to emit smoke until oil residue burns off.



Fig. 1

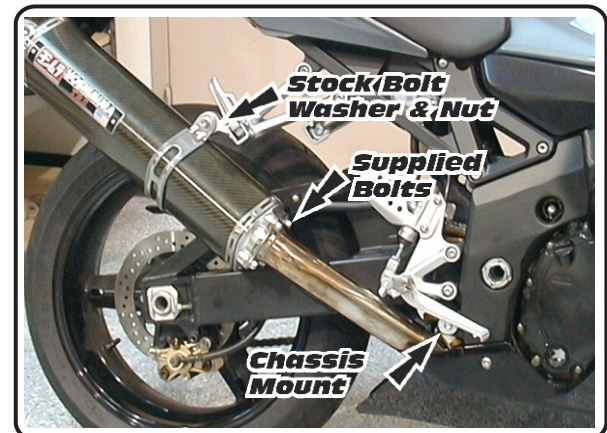


Fig. 2

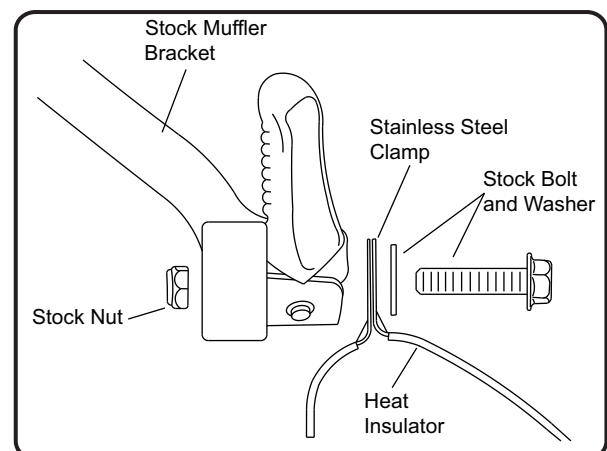
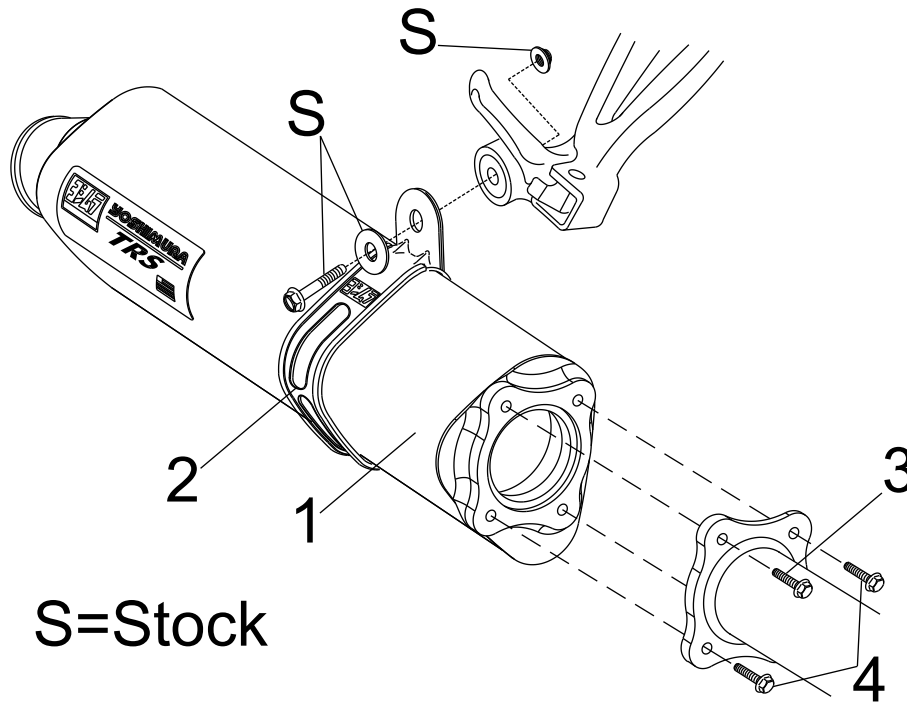


Fig. 3

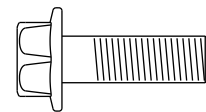
#110846 (2,5,7)



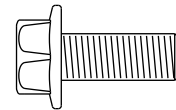
Parts Diagram

NO.	DESCRIPTION	QTY	PART #
1	TRS Tri-Oval Muffler Assembly	1	**
2	TRS Stainless Steel Muffler Clamp Stainless Steel or Titanium Sleeve use Carbon Fiber Sleeve use	1	CTS083X CTS083
3	8mm x 16mm Flange Hex Bolt	1	M8X16H
4	8mm x 20mm Flange Hex Bolt	3	M8X20H
**	Muffler Clamp Heat Insulator	1	HT SHLDTRS
**	TRS Insert Kit	1	TRS-INS-BK
**	Yoshimura Vinyl Sticker	2	17028-BLK

Nuts and Bolts Guide (Actual Size):



8mm x 20mm
Flange Hex Bolt



8mm x 16mm
Flange Hex Bolt