



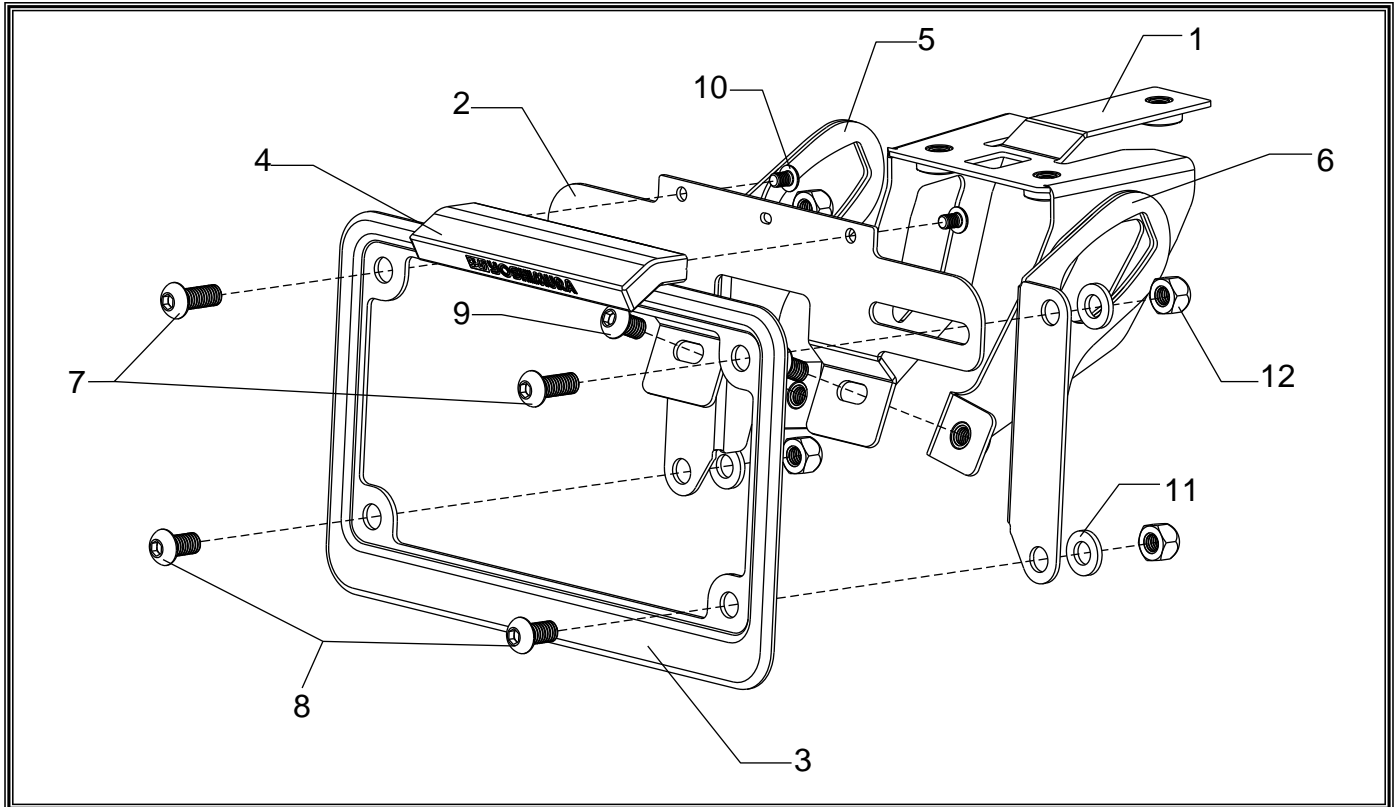
Fender Eliminator Kit

APPLICATION

MAKE	MODEL
Kawasaki	Ninja 650
PRODUCT	
070BG146501	Fender Eliminator Kit



This product is not DOT approved. Yoshimura R&D of America, Inc. is not liable or responsible for any resulting event caused by the installation of this product. Check with local laws and regulations for compliance prior to installation and use. This product is not intended for use on public highways.



No.	Part #	Description	Qty
1	14650-FEB-01	Yoshimura Fender Eliminator Bracket	1
2	12200-FEBKT	Yoshimura License Plate Bracket	1
3	070BG-LPF	License Plate Frame	1
4	070BG-LH-K	Yoshimura LED Fender Eliminator Light	1
5	14650-TSL-BKT-00	Left Turn Signal Bracket	1
6	14650-TSR-BKT-00	Right Turn Signal Bracket	1
7	M6X16BHS	6mm x 16mm Button Head Screw	2
8	M6X14BHS	6mm x 14mm Button Head Screw	2
9	M6X10BHS	6mm x 10mm Button Head Screw	2
10	M4X6BHS	4mm x 6mm Button Head Screw	2
11	6MMWASHER	6mm Washer	4
12	6MMLN	6mm Nylon Lock Nut	4
**	94785-01-ND	Butt Connectors	2
**	ZT-300	Cable Ties	3
**	17029	Yoshimura Sticker Sheet	1
Optional Parts (not incl.)			
***	070BGUNVTBKT	Universal Turn Signal Bracket Kit	

-TOOLS REQUIRED-

Metric Socket Set • Combination Wrench Set • Metric Allen Wrench Set

-REMOVAL-

1. **Remove tail cowl or passenger seat and disconnect the license plate light and turn signal connectors.**
2. **While securely supporting the fender assembly, remove the (3) bolts securing fender assembly.**
3. **Remove the (4) bolts securing wire guard plate behind the stock fender.**
4. **Remove the (4) bolts securing fender reinforcement to fender assembly.**
-(2) bolts on top of stock fender.
-(2) bolts securing license plate bracket.
5. **Remove stock turn signals from fender assembly.**
Note: Stock mounting hardware will be reused when installing turn signals onto Yoshimura turn signal bracket.
6. **Cut the stock license plate light connector from the stock fender. BE SURE TO CUT AT LEAST A 6" SECTION OF WIRE FROM THE CONNECTOR.**

-INSTALLATION-

1. **Install Yoshimura LED fender eliminator light onto license plate bracket using the hardware provided in the kit. See diagram for proper orientation and order of hardware.**
2. **Using the connectors provided in the kit, connect the Yoshimura Fender Eliminator wires to the stock license plate light connector as follows: Red wire goes to Red; Black wire goes to Black w/ Yellow stripe.**
3. **Install stock turn signals onto Yoshimura turn signal brackets using the stock hardware.**
-Turn Signal Plate
-Turn Signal Retainer
-Turn Signal Retainer Screw
4. **Assemble and install Yoshimura fender eliminator according to the parts diagram.**
5. **Route wiring through hole in bracket, then through tail section to stock location. Connect license plate light and turn signal connectors to stock harness.**
6. **Install Yoshimura Fender Eliminator bracket using the (3) stock mounting bolts.**
7. **Check for function of license plate light and that all brackets and pieces are secure prior to riding.**