



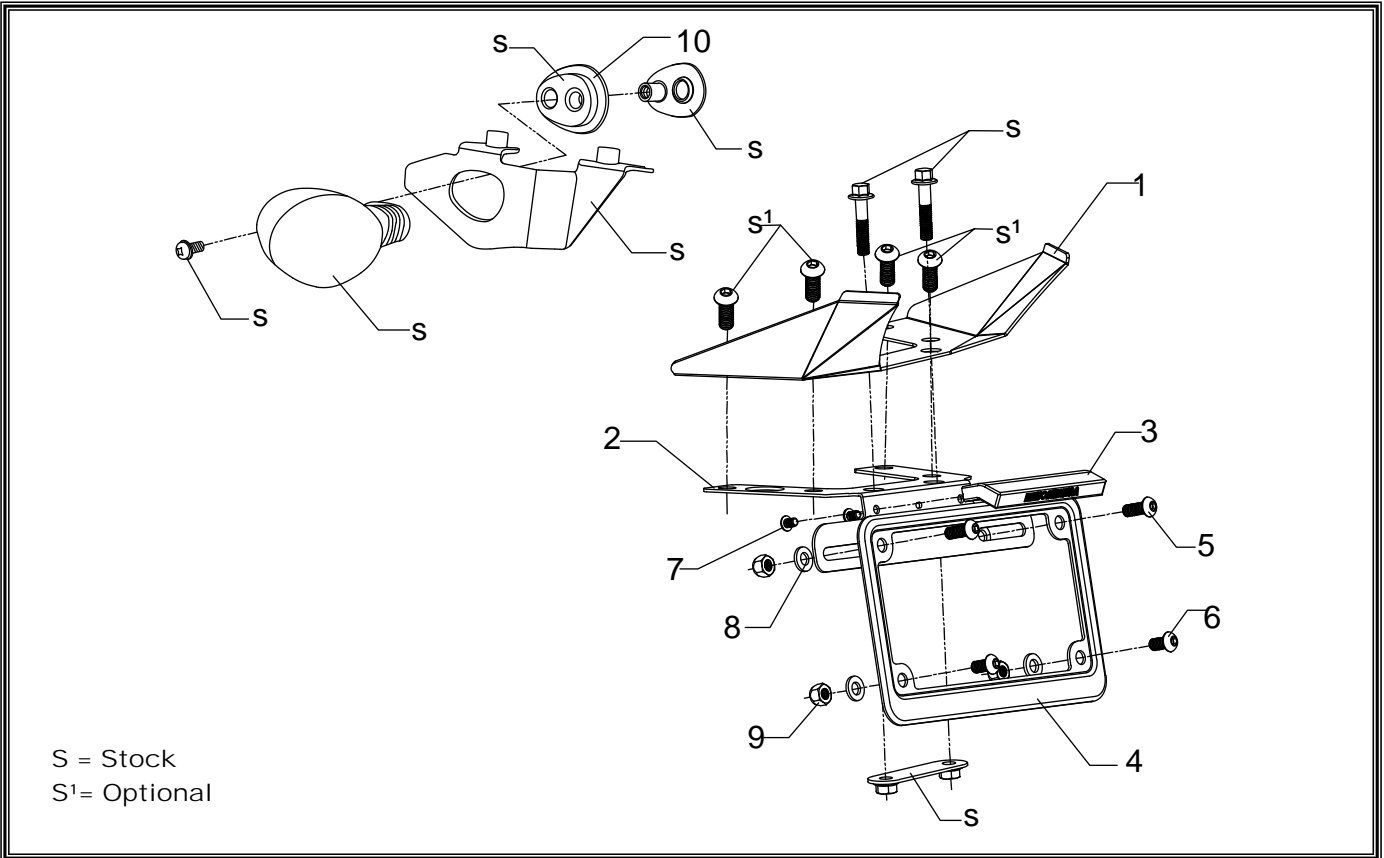
# Fender Eliminator Kit

APPLICATION

MAKE	MODEL
Kawasaki	Ninja250R
PRODUCT	
070BG140701	Fender Eliminator Kit



This product is not DOT approved. Yoshimura R&D of America, Inc. is not liable or responsible for any resulting event caused by the installation of this product. Check with local laws and regulations for compliance prior to installation and use. This product is not intended for use on public highways.



No.	Part #	Description	Qty
1	1407-FEB-00	Yoshimura Fender Eliminator Bracket	1
2	14070-FEBKT	Yoshimura License Plate Bracket	1
3	070BG-LH-K	Yoshimura LED Fender Eliminator Light	1
4	070BG-LPF	Yoshimura Aluminum License Plate Frame	1
5	M6X16BHS	6mm x 16mm Button Head Screw	2
6	M6X14BHS	6mm x 14mm Button Head Screw	2
7	M4X6BHS	4mm x 6mm Button Head Screw	2
8	6MMWASHER	6mm Washer	4
9	6MMLN	6mm Nylon Lock Nut	4
10	1407-TS-BKT	Turn Signal Bracket Shim	2
**	94785-01-ND	Butt Connectors	2
**	17029	Yoshimura Sticker Sheet	1
<i>Optional Replacement Parts</i>			
****	M6X1HN	6mm Flange Nut	4
****	M6X16H	6mm x 16mm Hex Bolt	4

***-TOOLS REQUIRED-***

*Metric Socket Set • Combination Wrench Set • Metric Allen Wrench Set • Power Drill*

***-REMOVAL-***

- 1. Remove passenger seat and disconnect tail light, turn signals, and license plate light.***
- 2. Remove stock fender by removing the (6) bolts.***
- 3. Using a drill, drill out the (2) rivets on the turn signal bracket attached to the fender.***
- 4. Disassemble turn signal assembly and remove rubber grommet to separate turn signal assembly from fender. (Note: Stock turn signal, bracket and rubber grommet will be reused. Care should be taken during removal.)***
- 5. Cut the stock license plate light connector from the stock fender. BE SURE TO CUT AT LEAST A 6" SECTION OF WIRE FROM THE CONNECTOR.***

***-INSTALLATION-***

- 1. Install Yoshimura LED fender eliminator light onto license plate bracket using the (2) 4mm screws supplied in the kit.***
- 2. Using the connectors provided in the kit, connect the Yoshimura Fender Eliminator wires to the stock license plate light connector as follows: Red wire goes to orange wire; Black/yellow wire goes to black wire.***
- 3. Install shim provided in the kit onto the stock rubber grommet and re-assemble the stock turn signal assembly. Repeat step for opposite side.***

***If stock turn signals will not be used, install optional supplied bolt and nut. See diagram "S1" for proper optional replacement bolts.***

- 4. Assemble Yoshimura Fender Eliminator kit as shown in the parts diagram.***
- 5. Route wiring through hole in bracket, then through tail section to stock location. Connect license plate light connector to stock harness.***
- 6. Install Yoshimura Fender Eliminator assembly using the (6) stock bolts.***
- 7. Check for function of license plate light and that all brackets and pieces are secure prior to riding.***