

# 50-0445

Yamaha R6(03-05) & R6S (all)

2 Piece Frame Slider

Installation Instructions

**The Longer base goes on the left side, with the longer bolt**

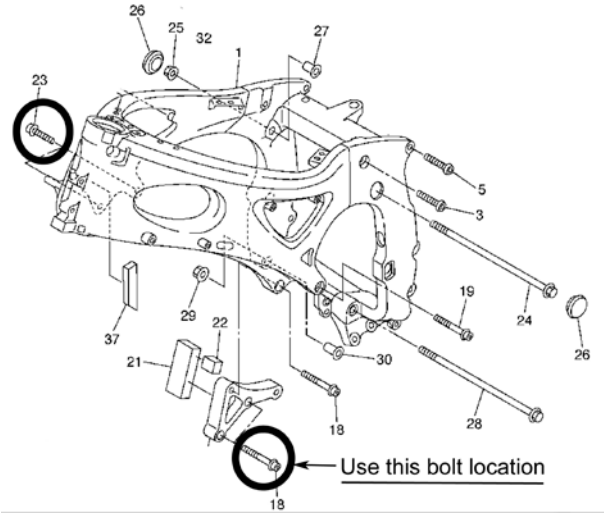
1) Remove your OEM motor mount bolts. The sliders use the most forward engine mount on both sides.

2) With your bodywork in place, fit the bolt and aluminum base on each side of the bike by hand so that you can trace a circle to mark where you need to cut at least a 2" hole for the sliders.

The R6 has partial cuts on both sides

3) Attach the slider bases to the motorcycle using the bolts provided, threading them in place of your motor mount bolt. Torque to OEM recommended specifications (consult service manual).

4) Slide the plastic slider over the top of the base and secure in place using the 8mm countersunk bolt provided. The bolt passes first through the non threaded hole and then screws into the threaded hole on the far side of the base. The plastic is undersized on the far side of the slider to act as a locknut for the bolt



Right



Left