

1) Remove front motor mount (See Figure A).

2) Make sure that the 50-0130RI nut is fully seated into the 50-0130R base. There is an oval shaped protrusion in the nut that fits into a mating female cutout in the bottom of the base. Thread the nut 5-6 turns onto the 10x260 bolt and use the bolt to seat the nut in the base. If needed, set the nut into the base by tapping gently on the 10x260 bolt. When you look in the underside of the base, the nut should look like it does in Figure B.

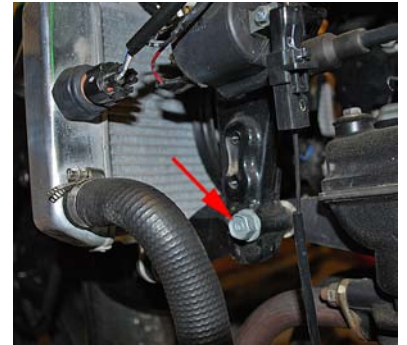


Fig A - Motor Mount Bolt

3) Slide the 10x260mm bolt through the left base and push the bolt through the frame until the base bottoms out on the frame. Place the washer between the frame and the base and secure the base with the 6x16mm BH bolt.

4) Thread the RIGHT base with the nut installed (you can hold it in place using a 3/8 socket extension or similar) onto the exposed threads of the 10x260mm bolt. Using anti-seize lubricant on the end of the threads can make removal easier in the future.

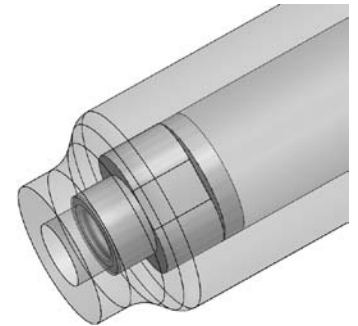
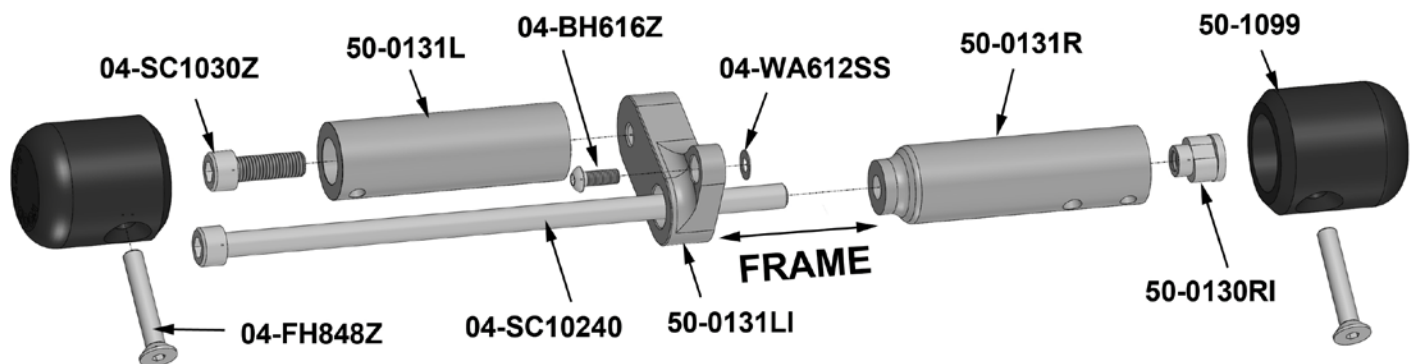


Fig B - RH base with nut

5) Tighten the motor mount bolt to 47 Ft-lbs. The you may stick a #2 phillips screwdriver in the hole for installation on the right side to keep it from spinning.

6) Slide the plastic slider over the top of the base and secure in place using the 8mm countersunk bolt provided. The bolt passes first through the non threaded hole and then screws into the threaded hole on the far side of the base. The plastic is undersized on the far side of the slider to act as a locknut for the bolt



105 Baldwinville Rd, Winchendon, MA 01475 978-297-2977

WARNING: Improper installation and/or failure to comply with all warnings and instructions may cause a loss of control and serious injury or death. The motorcycle should be run and thoroughly inspected before use. **DO NOT INSTALL OR USE THIS PRODUCT IF YOU ARE UNABLE TO DO SO IN COMPLIANCE WITH ALL INSTRUCTIONS AND WARNINGS. SEEK THE ASSISTANCE OF A TRAINED PROFESSIONAL TECHNICIAN.**