

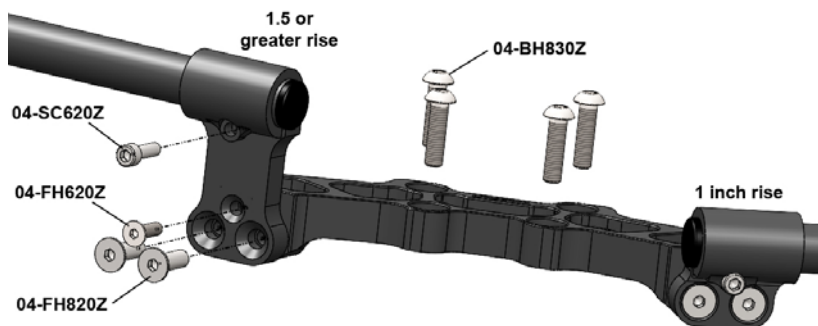
Ducati Monster 696/796/1100 Clipon Riser Clamp Installation Instructions

WARNING Installation and use of some Woodcraft Technologies, Inc. products will change the response of the motorcycle to rider control inputs. Failure of the rider to adapt to these changes may cause loss of control, and serious injury or death. Improper installation, and/or failure to comply with all warnings and instructions may cause loss of control and serious injury or death. **DO NOT INSTALL OR USE ANY WOODCRAFT TECHNOLOGIES, INC. PRODUCTS IF YOU ARE UNABLE TO DO SO IN COMPLIANCE WITH ALL INSTRUCTIONS AND WARNINGS. SEEK THE ASSISTANCE OF AN EXPERIENCED TECHNICIAN.**

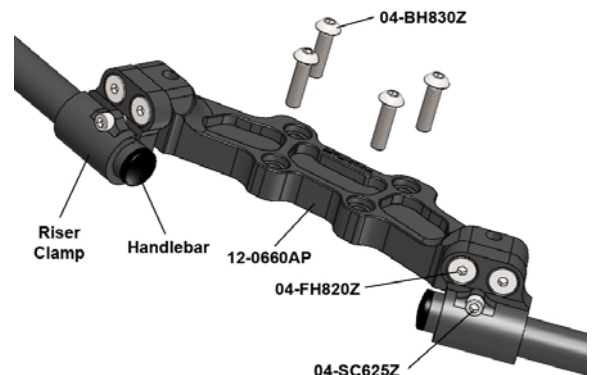
- 1) Completely remove your stock grips, controls and handlebar assembly. This kit replaces both the stock handlebar and the top clamp of the OEM assembly shown at the right.
- 2) Use the four supplied 8 x 30mm BHSC mounting bolts to secure the Woodcraft adapter plate to the OEM handlebar base unit.
- 3) This clamp is designed so that the riser portion of the clamps can point either up or down. **NOTE:** Lowering the bars may cause interference issues and installers should pay careful attention throughout the entire range of handlebar motion. Most riders install these clamps with the risers pointing up.
- 4) Bolt the riser clamps to the adapter plate using the included bolts. For the one inch rise, the left riser is offset to the left, the right is offset to the right. **IMPORTANT:** These bolts must have the threads coated with blue or red threadlocking compound before installation.
- 5) The OEM controls have anti rotation pins, which require you to drill holes in the handlebars for proper installation. Measure the diameter of the holes in the stock handlebars and select the appropriate drill bit.
- 6) Secure the bars into the riser clamps. Slide the controls into place, noting that the grips should end right where the plastic end plug meets the aluminum. Mark the location for the anti rotation pins and drill the holes for them. Test the controls to be sure that they are able to be securely tightened and that everything moves freely.



Standard (used as riser clamp)



Flipped (showing 1 inch risers)



WARNING - VERY IMPORTANT : Ensure that the cables, hoses and all control parts do not contact any part of the motorcycle and that you have full ability to manipulate the controls throughout the entire range of steering. Also, be sure that the throttle returns freely after being fully opened throughout the entire range of steering. **FAILURE TO HEED THESE WARNINGS MAY CAUSE LOSS OF CONTROL OF MOTORCYCLE AND SERIOUS INJURY OR DEATH. DO NOT OPERATE THE MOTORCYCLE IF THERE ARE ANY INTERFERENCE ISSUES WITH EITHER THE MOTORCYCLE PARTS OR YOUR BODY, OR WITH A THROTTLE THAT DOES NOT RETURN FREELY.**