

# RS186K INSTRUCTIONS

TO BE INSTALLED BY A CERTIFIED MECHANIC ONLY | FOR RACE USE ONLY

## SHIFT SIDE EXPLODED VIEW



### INDEX



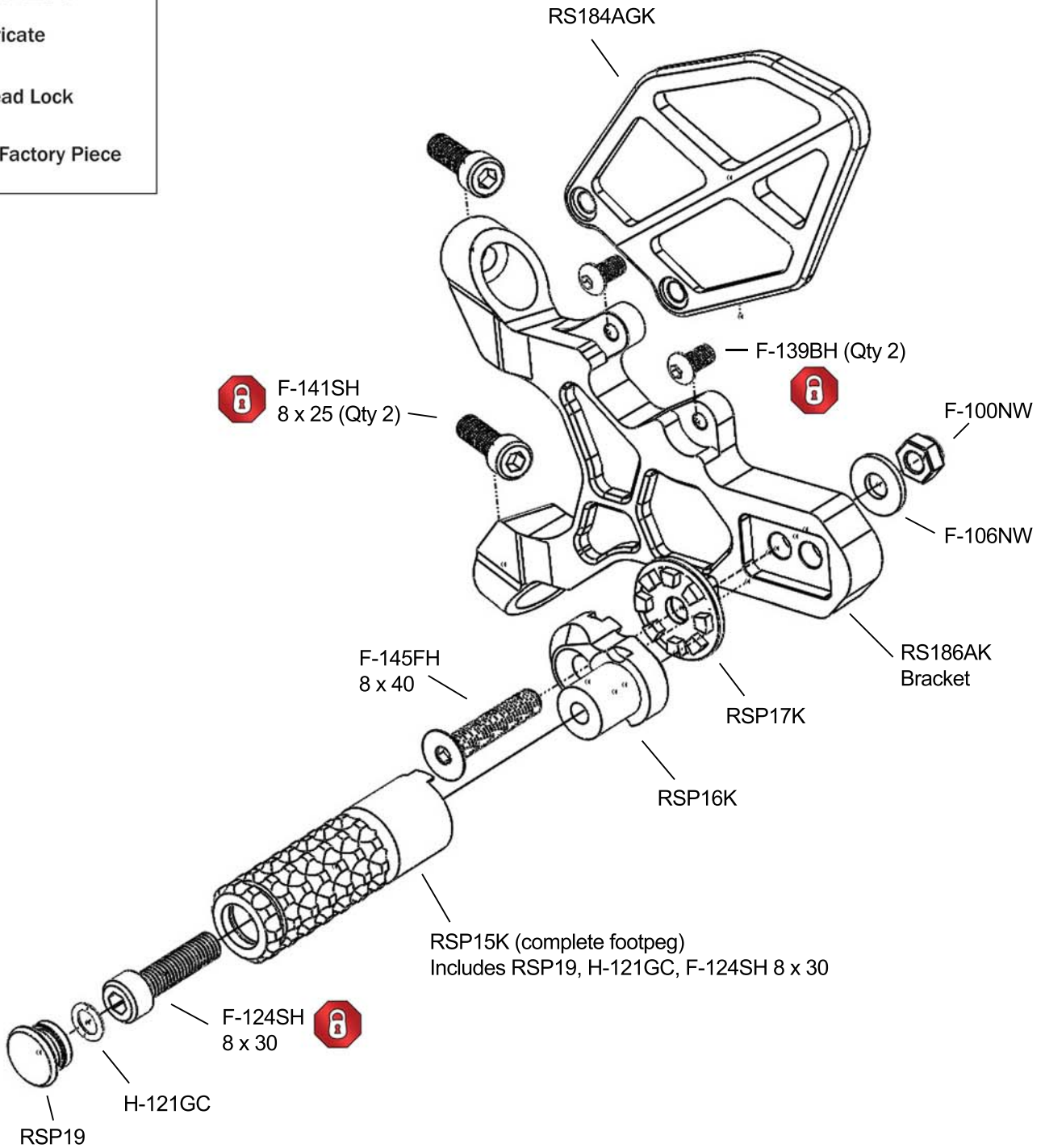
Lubricate



Thread Lock



Use Factory Piece



1.800.440.3559

www.VORTEXRACING.com

# RS186K INSTRUCTIONS

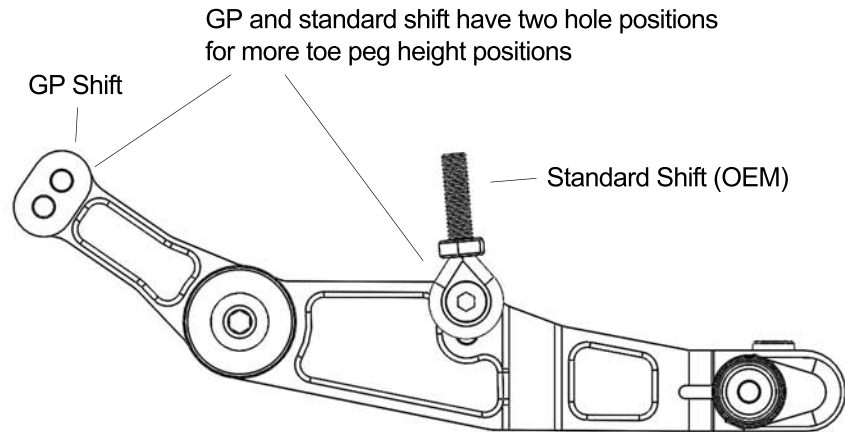
TO BE INSTALLED BY A CERTIFIED MECHANIC ONLY | FOR RACE USE ONLY

## SHIFT SIDE EXPLODED VIEW



**INDEX**

- Lubricate
- Thread Lock
- Use Factory Piece



RS186BK (complete lever)  
includes everything shown except:  
F-140BH 8 x 70, F-115NW, F-105NW & RS184SP

