

# RS186K INSTRUCTIONS

TO BE INSTALLED BY A CERTIFIED MECHANIC ONLY | FOR RACE USE ONLY

## BRAKE SIDE EXPLODED VIEW



### INDEX



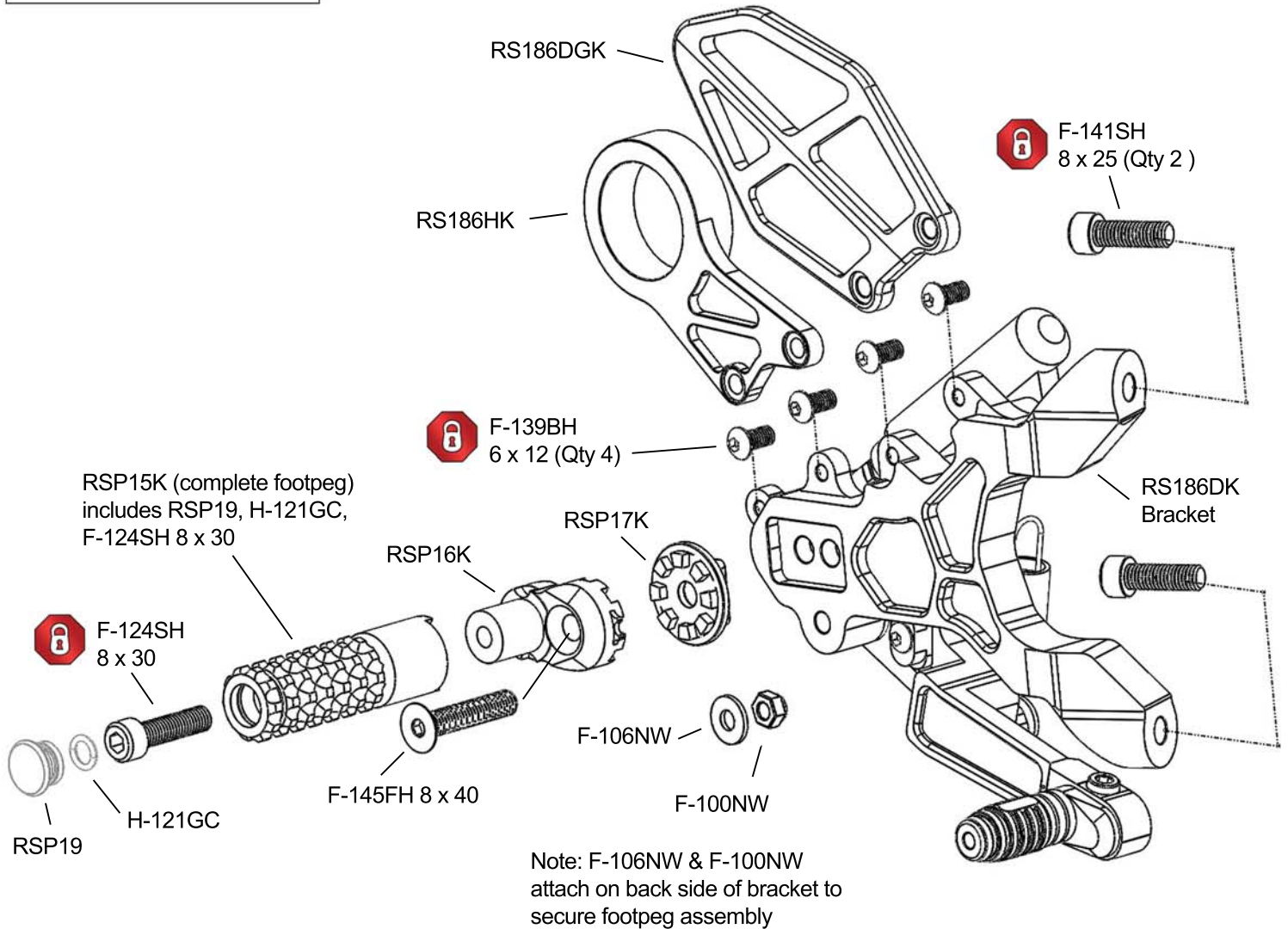
Lubricate



Thread Lock



Use Factory Piece



1.800.440.3559

www.VORTEXRACING.com

# RS186K INSTRUCTIONS

TO BE INSTALLED BY A CERTIFIED MECHANIC ONLY | FOR RACE USE ONLY

## BRAKE SIDE EXPLODED VIEW



### INDEX



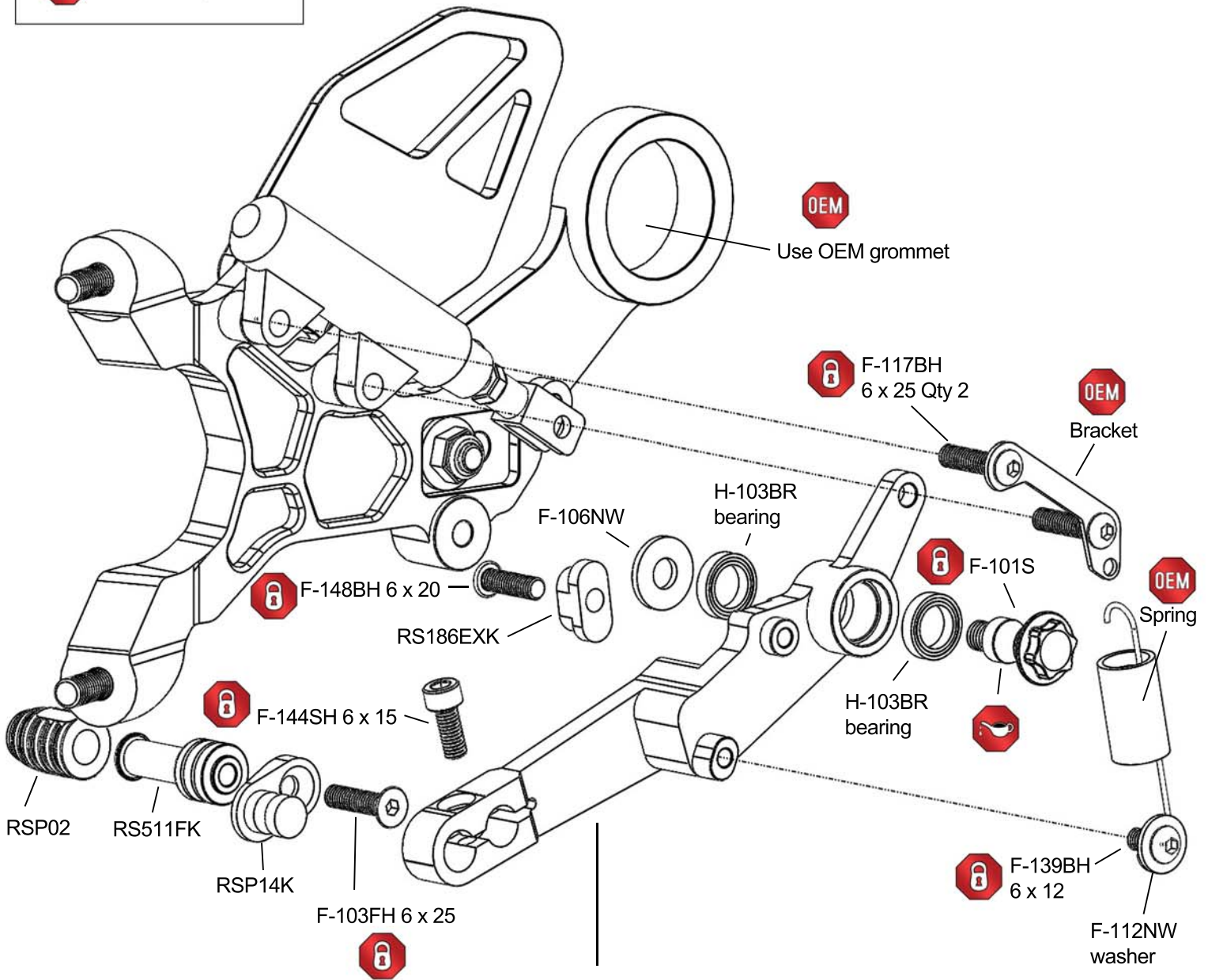
Lubricate



Thread Lock



Use Factory Piece



RS186EK (complete lever)  
Includes complete toe peg, H-103BR bearings, F-148BH,  
RS186EXK, F-139BH, F-112NW  
Does not included F-101S & F-106NW

