

RS186K INSTRUCTIONS

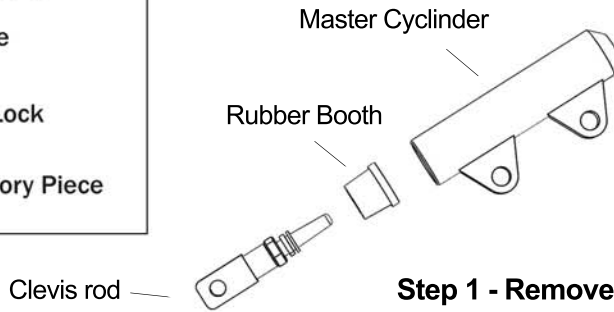
TO BE INSTALLED BY A CERTIFIED MECHANIC ONLY | FOR RACE USE ONLY

BRAKE LEVER INSTALLATION & ADJUSTMENT Page 1

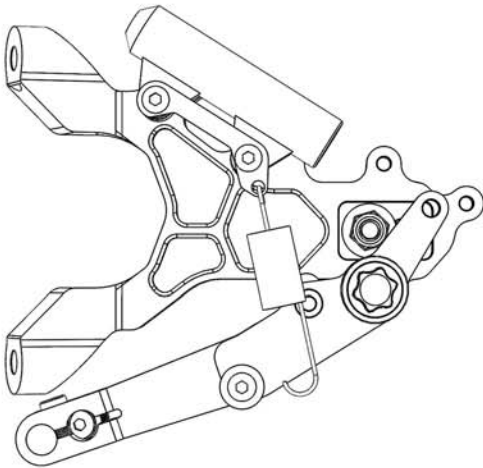


INDEX

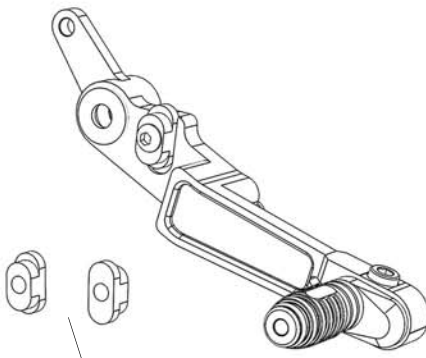
-  Lubricate
-  Thread Lock
-  Use Factory Piece



Step 1 - Remove OEM clevis rod and gently pull rubber boot out of master cylinder.



Step 2 - Install the master cylinder (using thread locking agent), OEM Spring and spring bracket onto RS186DK. Install the RS186EK brake lever to the bracket using thread locking agent. Attach the RS186DK brkt with lever attached to the motorcycle using thread locking agent. Leave the spring hanging and not attached to the lever yet.



RS186EXK - shown in two different facing positions can also be rotated.

Step 3 - Determine which stop position is closest to your desired toe peg height using the RS186EXK brkt. Four different height positions can be achieved by rotating and flipping over the RS186EXK brkt. The final lever height adjustment can be achieved by adjusting the toe peg. Once you determine which stop position will be utilized install the RS186EXK brkt with thread locking agent.



1.800.440.3559

www.VORTEXRACING.com

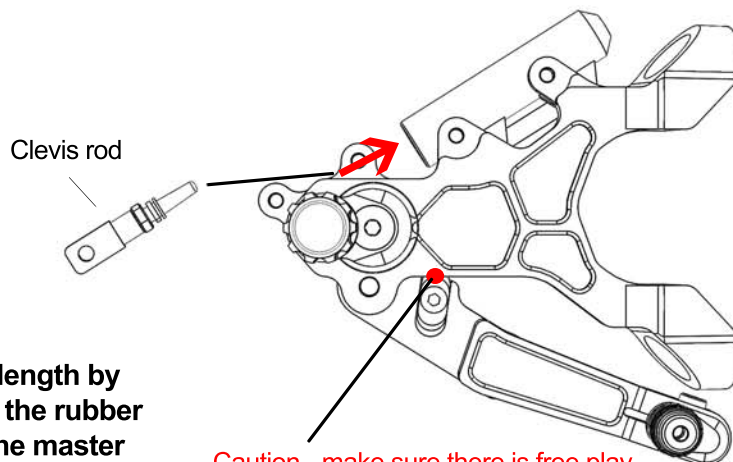
RS186K INSTRUCTIONS

TO BE INSTALLED BY A CERTIFIED MECHANIC ONLY | FOR RACE USE ONLY

BRAKE LEVER INSTALLATION & ADJUSTMENT Page 2

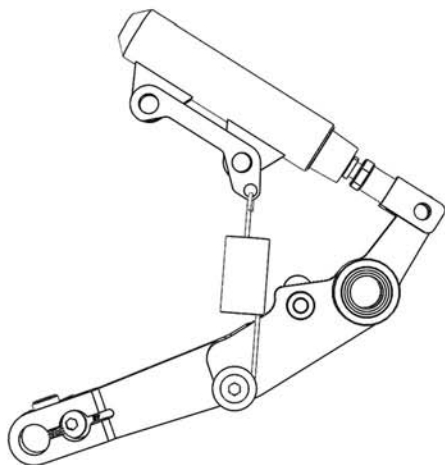


INDEX	
	Lubricate
	Thread Lock
	Use Factory Piece



Caution - make sure there is free play between RS186EXK and the brkt

Step 4 - Adjust the clevis rod length. Check the length by inserting into the master cylinder. Do not install the rubber boot yet. Make sure it is properly inserted into the master cylinder. Make sure the lever stop is close to the bracket but there is some free play, so the brake is not dragging.



Step 5 - Once the clevis rod length is determined remove it from the master cylinder and tighten the lock nut. Pull the rubber boot over the clevis rod. You will be pulling the rubber boot inside out to make sure it is seated into the slot on the rod. Once it is seated gently pull the rubber boot back the other way. With the boot on the rod install the boot back into the master cylinder. This may create a vacuum and collapse the rubber boot slightly. To let air back into the rubber boot gently pull the boot around where it is seated into the rod slot. This will allow air back into the boot. Make sure the rod is properly inserted into the master cylinder. Install the pin through the brake lever tab and snap into place. Check that there is some free play at the lever tip. Once this is determined attached the spring onto the lever.

Step 6 - Next install the heel guard RS186DGK using blue thread locking agent.

Step 7 - **Caution With the motorcycle on a rear stand spin the rear wheel and make sure the brake is not dragging.**



1.800.440.3559

www.VORTEXRACING.com