

# RS424 INSTRUCTIONS

TO BE INSTALLED BY A CERTIFIED MECHANIC ONLY | FOR RACE USE ONLY

## BRAKE SIDE EXPLODED VIEW

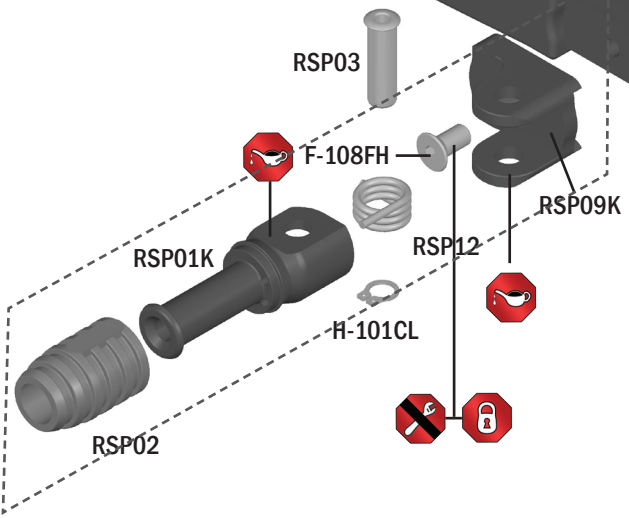
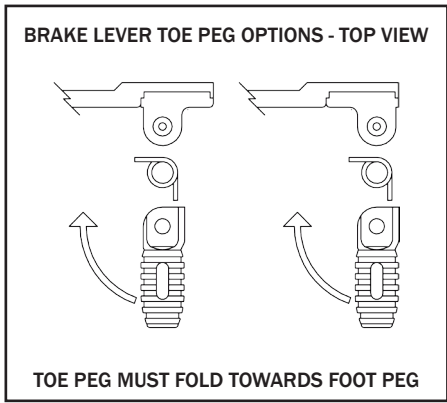
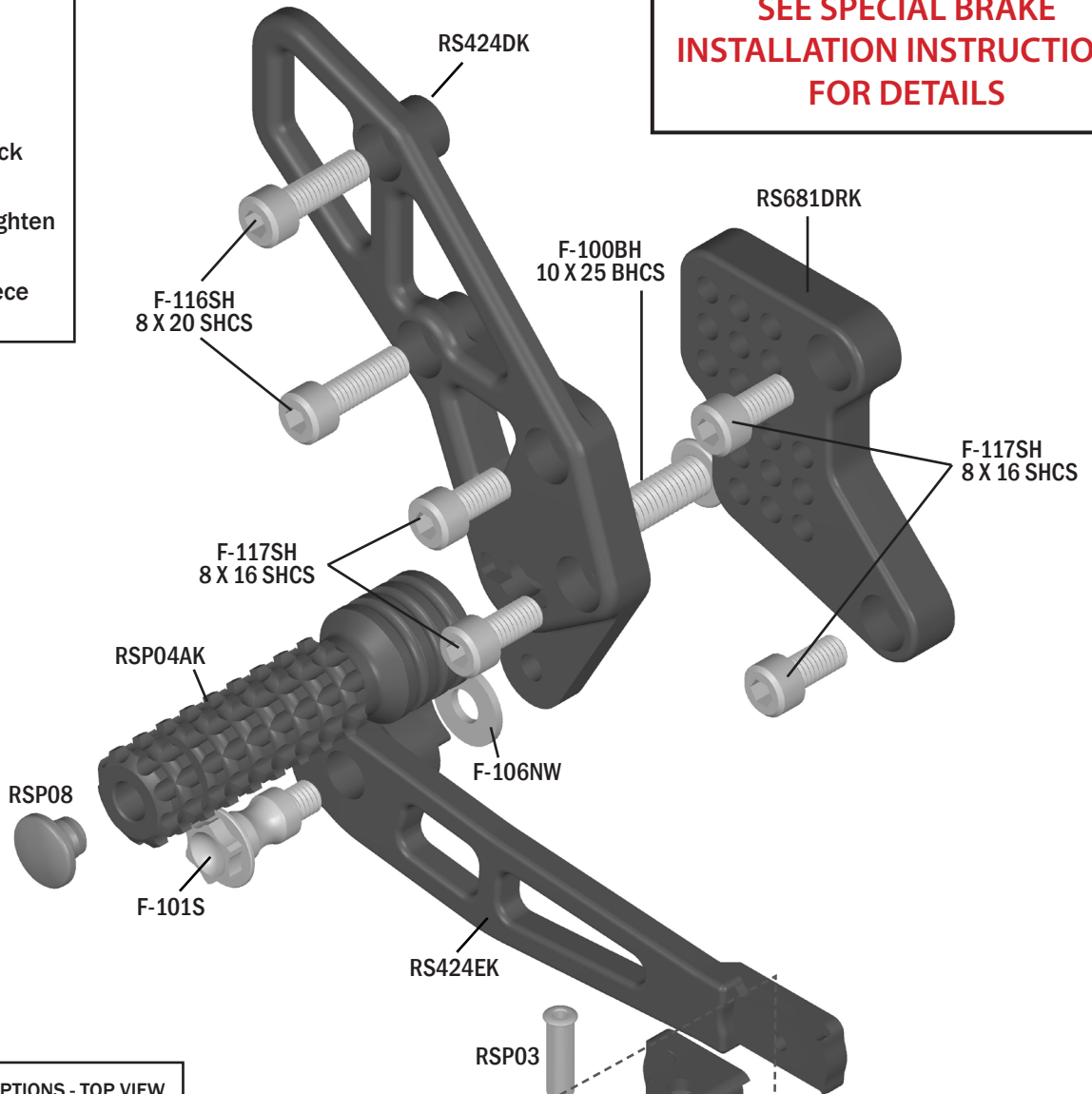
FOR: KAWASAKI NINJA 250 08-10



**SEE SPECIAL BRAKE  
INSTALLATION INSTRUCTIONS  
FOR DETAILS**


### INDEX

-  Lubricate
-  Red Thread Lock
-  DO NOT Overtighten
-  Use Factory Piece



### BRAKE LIGHT INFO:

These rearsets do not use: OEM rear brake light switch, spring & lever return spring. In race form these rear sets no longer activate rear brake light from rear brake lever. Street use requires rear brake light to be activated by rear & front brake levers. To achieve rear brake light activation from rear brake lever use Vortex in-line pressure switch RS100.




# RS424 INSTRUCTIONS

TO BE INSTALLED BY A CERTIFIED MECHANIC ONLY | FOR RACE USE ONLY

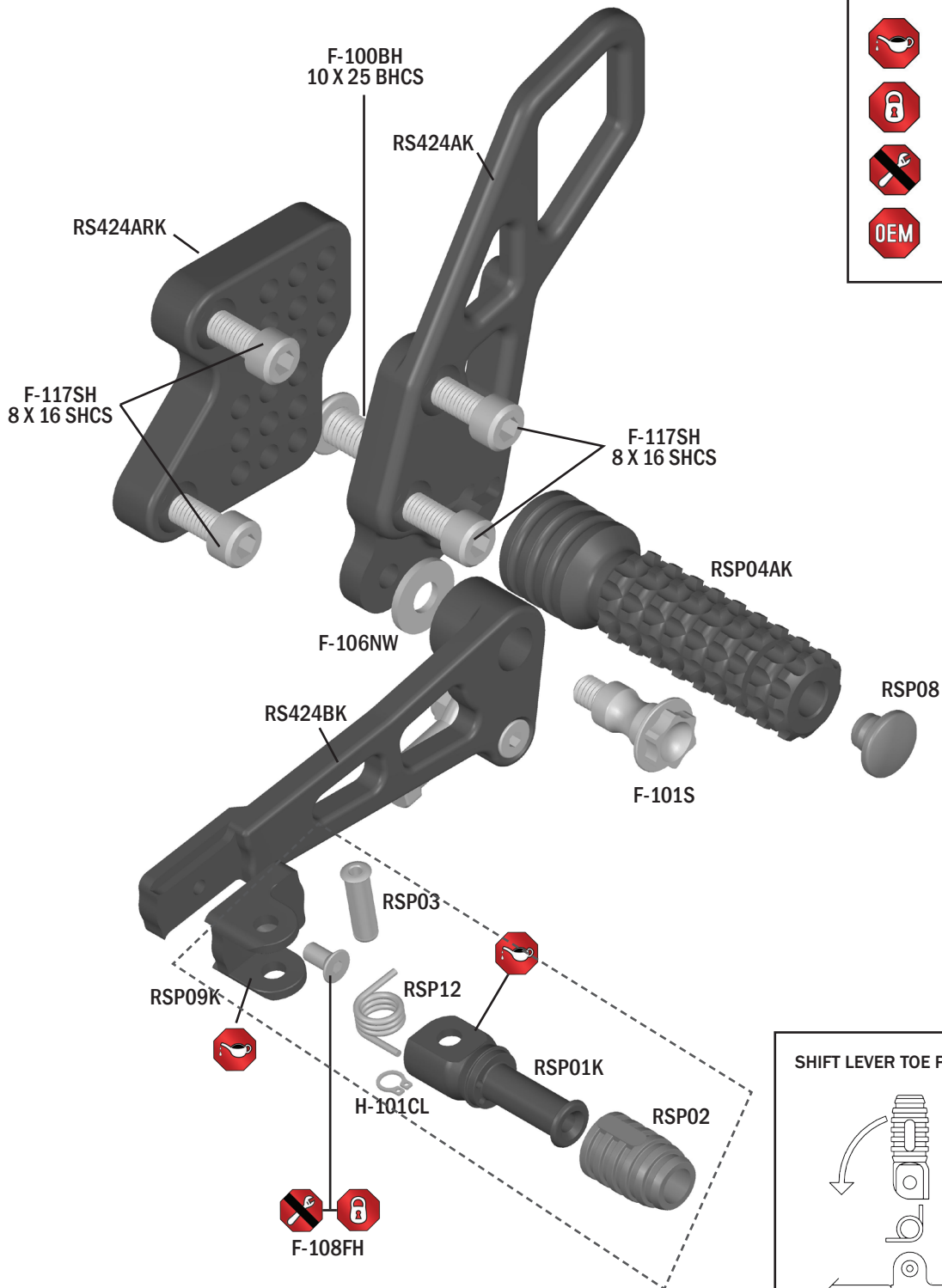
## SHIFT SIDE EXPLODED VIEW

FOR: KAWASAKI NINJA 250 08-10

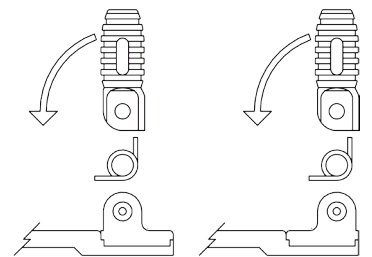


### INDEX

- Lubricate
- Red Thread Lock
- DO NOT Overtighten
- Use Factory Piece



### SHIFT LEVER TOE PEG OPTIONS - TOP VIEW



TOE PEG MUST FOLD TOWARDS FOOT PEG



1.800.440.3559  
www.VORTEXRACING.com

MADE IN  
THE USA

# RS424 INSTRUCTIONS

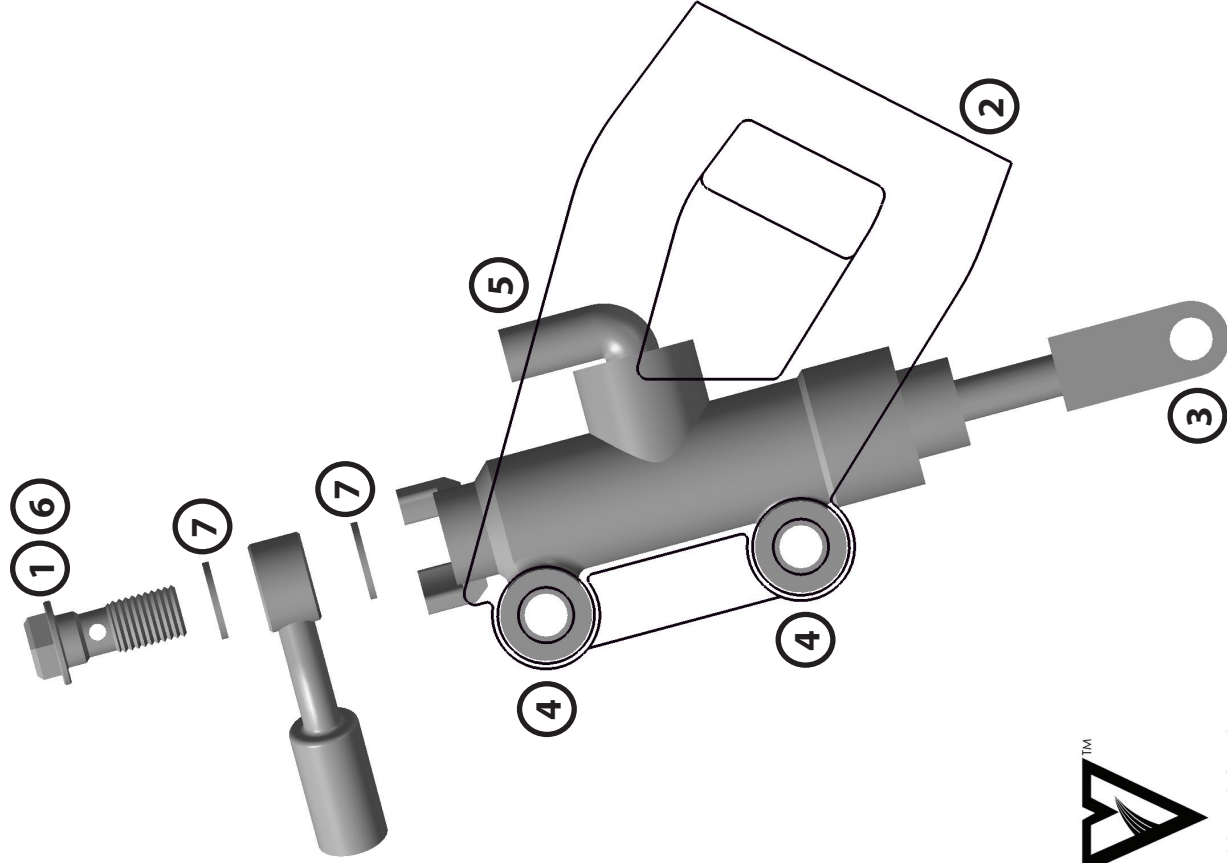
TO BE INSTALLED BY A CERTIFIED MECHANIC ONLY | FOR RACE USE ONLY

## SPECIAL BRAKE SIDE INSTRUCTIONS



### Kawasaki Ninja 250R – Brake side Master cylinder install instructions

Due to the potential safety hazards involved with this installation Vortex recommends that this installation **ONLY** be performed by a certified mechanic. Failure to install these parts properly may result in crash, injury or death.



### STOCK REMOVAL

- 1 Locate and loosen (by ONLY ¼ turn. Just enough to break it loose) the banjo bolt on top of the rear brake master cylinder
- 2 Remove the entire brake side heel guard, peg, and lever assembly (2 bolts).
- 3 Carefully remove the cotter pin on the back of the hinge pin connecting the master cylinder to the brake pedal. Push out the hinge pin to release the pedal from the master cylinder.
- 4 Remove the rear master cylinder from the heel guard (2 bolts).
- 5 Remove the rear brake fluid reservoir from behind the passenger foot peg. Drain as much brake fluid a possible into a container. Once most of the fluid is drained release the hose leading to the reservoir from the master cylinder by squeezing the spring clip with pliers and sliding it one inch up the hose. Next, gently pull the hose off the inlet to the master cylinder.
- 6 Remove the banjo bolt that was loosened in Step 1. Make sure to have something ready to catch any remaining fluid.
- 7 Throw away the two stock banjo bolt washers. These are a one time use part and may leak if re-used.



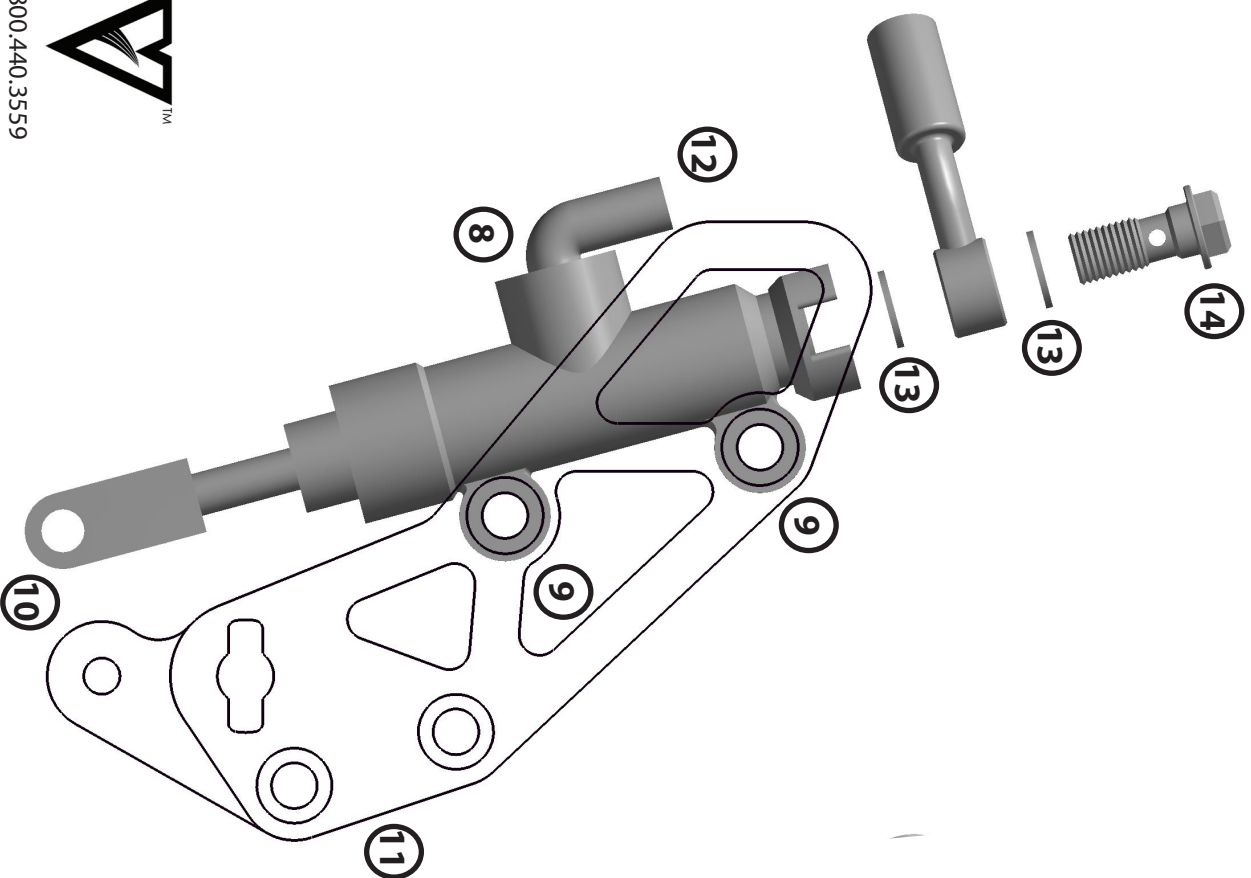
# RS424 INSTRUCTIONS

TO BE INSTALLED BY A CERTIFIED MECHANIC ONLY | FOR RACE USE ONLY  
**SPECIAL BRAKE SIDE INSTRUCTIONS**



## VORTEX INSTALLATION

Pre-assemble the brake pedal onto the heel guard, and the relocater plate to the frame before continuing.



- ⑧ Rotate the rear master cylinder 180 degrees compared to how it came off the bike. The inlet tube should now face towards the rear caliper.
- ⑨ Mount the master cylinder to the Vortex heel guard using the 8x20 bolts included. Use thread locking compound to reduce the chance vibratory loosening.
- ⑩ Install the hinge pin through the master cylinder clevis and brake pedal from the front side. Install the cotter pin through the hole in the hinge pin and bend the arms to lock everything together.
- ⑪ Mount the heel guard assembly to the relocator bracket on the frame using the 8x16 bolts supplied. Use thread locking compound to reduce the chance vibratory loosening.
- ⑫ Reattach the supply hose from the reservoir to the master cylinder with the spring clip. Some foot positions may require shorting the hose. Use caution when trimming the hose and insure that it is still long enough to reach the master cylinder in all foot positions.
- ⑬ Find the two crush washers that were supplied with the reaset kit. Place one **NEW** crush washer on **EACH SIDE** of the brake line.
- ⑭ Install the banjo bolt and torque to 22 ft-lbs. **DO NOT OVER TIGHTEN**. Doing so will cause the banjo bolt to fail.
- ⑮ Fill and bleed the rear brake system according to the manufacturer's specified procedure.
- ⑯ Once complete thoroughly wash off any spilled brake fluid using warm water and liquid dish detergent.
- ⑰ Check the system for proper operation prior to riding the motorcycle.

