

RS275K INSTRUCTIONS

TO BE INSTALLED BY A CERTIFIED MECHANIC ONLY | FOR RACE USE ONLY

BRAKE SIDE EXPLODED VIEW, SHEET 1 OF 2



INDEX



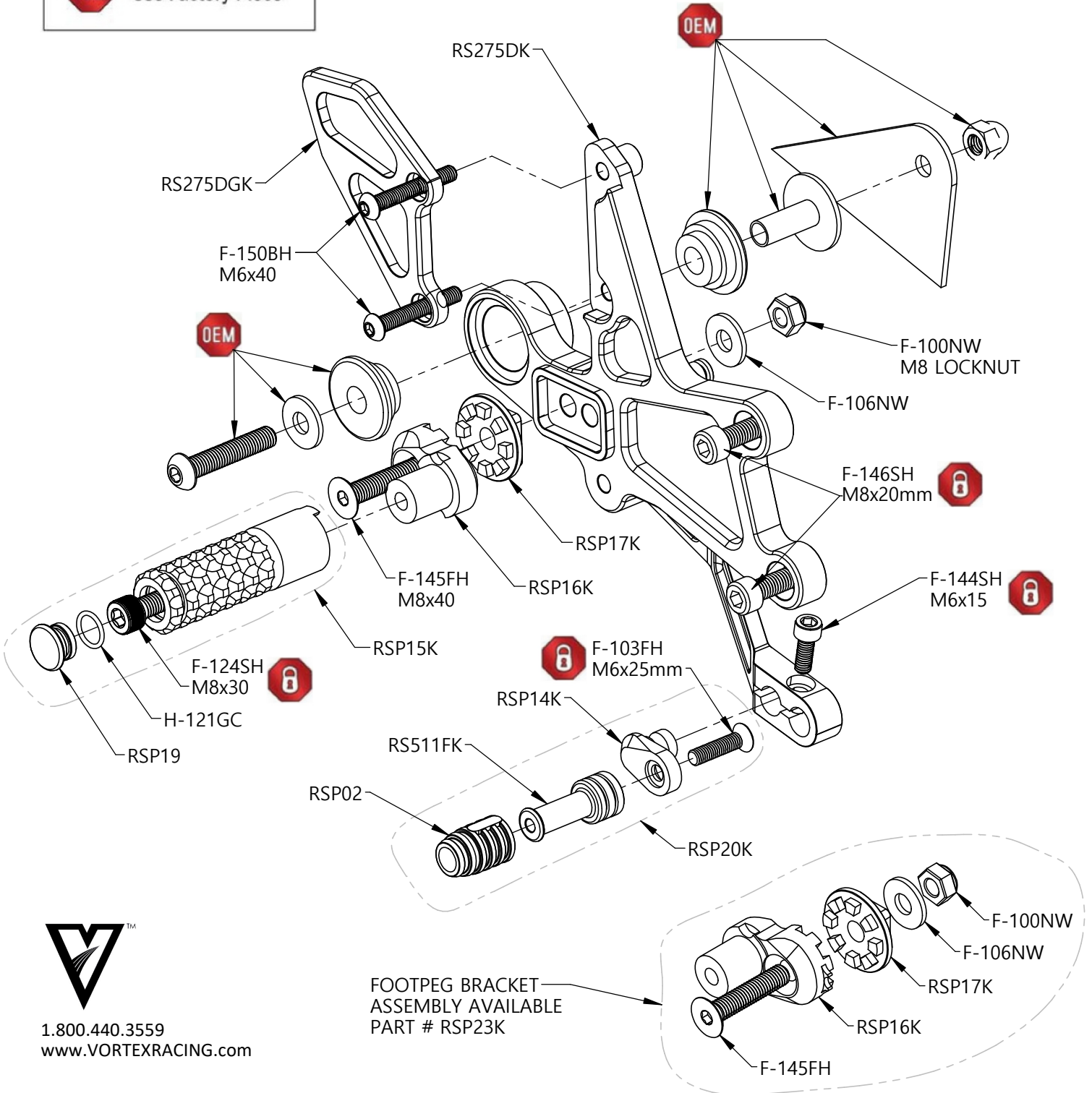
Lubricate



Thread Lock



Use Factory Piece



1.800.440.3559
www.VORTEXRACING.com

RS275K INSTRUCTIONS

TO BE INSTALLED BY A CERTIFIED MECHANIC ONLY | FOR RACE USE ONLY

BRAKE SIDE EXPLODED VIEW, SHEET 2 OF 2



INDEX



Lubricate



Thread Lock



Use Factory Piece

