

MOTOPLASTIC, S.A.

Molí de la sal, 1 - 08403 Granollers (Barcelona) SPAIN

Tel. 34 93 849 06 33 - Fax 34 93 849 09 88

info@puig.tv - info@puigusa.com

www.puig.tv - www.puigusa.com

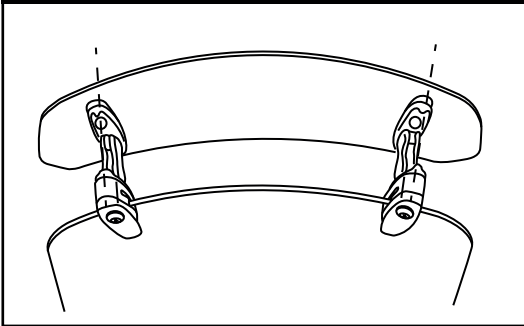
Ref. 6319

Ref. 6320

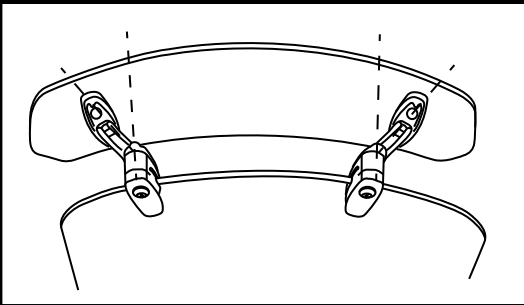
Ref. 6375

VISERA MULTIREGULABLE  
MULTI-ADJUSTABLE VISOR  
EINSTELLBARER AUFSATZ

MONTAJE CORRECTO - CORRECT ASSEMBLY - KORREKTE MONTAGE



MONTAJE INCORRECTO - INCORRECT ASSEMBLY - FALSCH MONTAGE



NOTA: Apta para espesores de pantalla entre 3 y 5mm

NOTE: Suitable screen thicknesses between 3 and 5mm

NOTA: Anmerkung: Fähig für Scheibenstärke zwischen 3 und 5mm.

ID.	DESCRIPCIÓN	DESCRIPTION	QTY.
1	Visera	Visor	1
2	Mecanismo multirregulable	Multi-adjustable mechanism	2
3	Tapeta de aluminio	Aluminium cap	2
4	Tapeta de plástico	Plastic cap	2
5	Tornillo rosca plástico M6x12	Plastic thread fastener M6x12	4
6	Arandela M6 inox	Washer M6	2
7	Tornillo M6x15 ISO7380 inox	Screw M6x15 ISO7380	2

