



Thank you for purchasing our Honda GROM Gear Indicator. Before operating the meter, please read this instruction sheet and keep it for future reference.

## ⚠ Notice

1. This meter works on DC12V applications only.
2. For installation, please follow the steps described below. Any damage caused by a wrong installation shall be imputed to the user.
3. Do not cut or modify the wire terminal. To avoid shortcircuits, do not pull the wires when installing.
4. Do not disassemble or change any parts.
5. Maintenance or repair should be executed by our professionals only. Opening the instrument will void the warranty.
6. While riding the vehicle, do not attempt to change the settings in order to avoid injuries.
7. This meters only works with digital speed / RPM signal (TTL SIGNAL 0-5V) motorcycles.

### MARK MEANING:

**NOTE** Some procedures must be followed to avoid damage to the meter.

**⚠ WARNING!** Some procedures must be followed to avoid any injuries.

**⚠ CAUTION!** Some procedures must be followed to avoid damages to your vehicle.

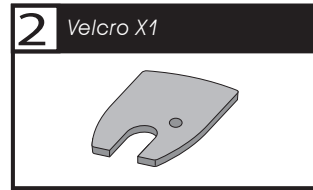
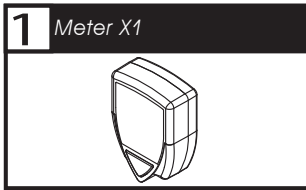


Press the button once



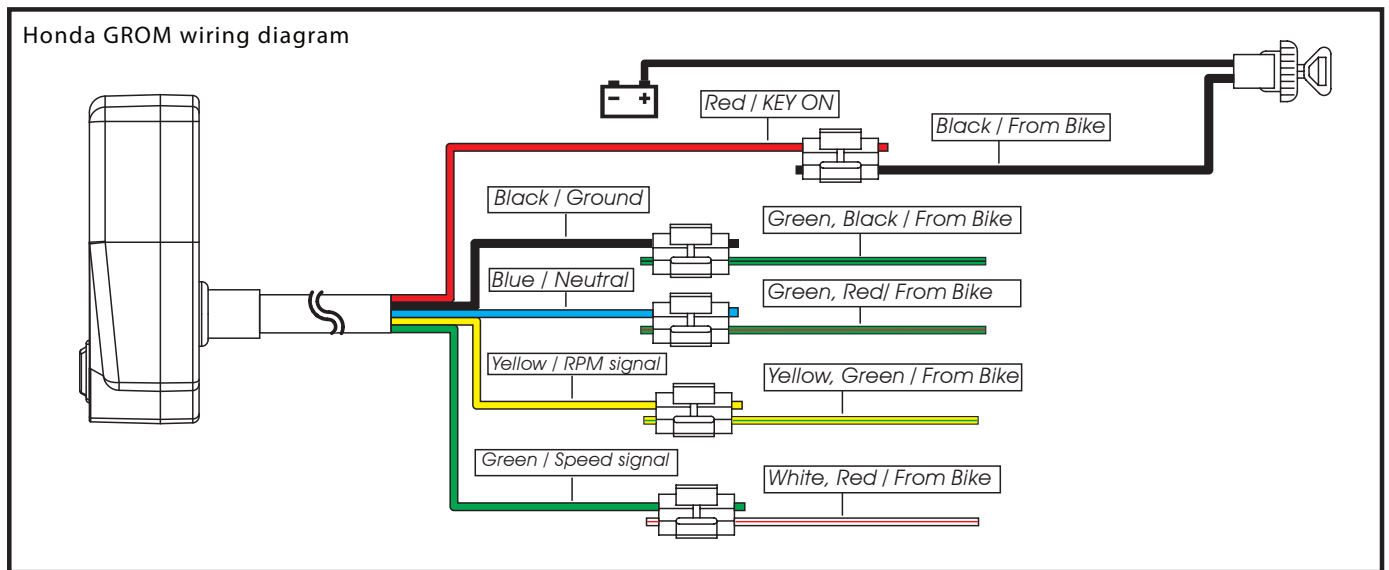
Press the button 3 seconds

## 1 Accessories

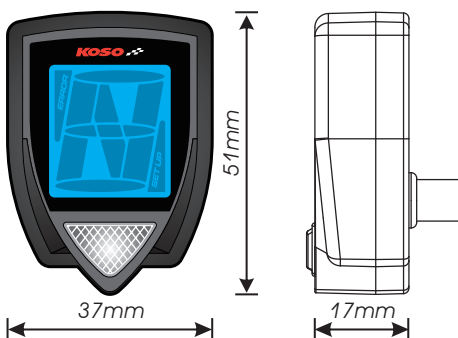


**NOTE** Please contact your local distributor if the items received are not the same as the ones listed above.

## 2 Wiring installation



## 3 Functions

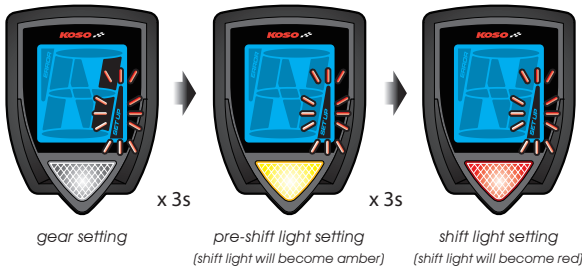


- Gear meter Display range: N, 1, 2, 3, 4, 5, 6, 7
- Effective voltage DC 12V
- Effective temperature range -10~+60°C (14~140°F)
- Meter standard JIS D 0203
- Meter size 37 X 51 X 17mm
- Meter weight ~51g

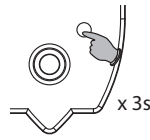
**NOTE** Design and specification are subject to change without notice.

**NOTE** When the speed is too low, the meter might not be able to detect any signal.

## 4-1 Setting instructions



- To enter the gear setting mode, press and hold the button behind the meter for 3 seconds.
- Press the button again for 3 seconds in order to enter the pre-shift light setting (button will become amber) and once more for 3 seconds to set the shift light (button will become red).



**NOTE** If no action is taken, the meter will automatically go back to the main screen after 30 seconds.

## 4-2 Gear & shift light settings

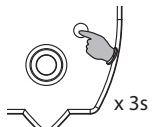


- If the meter can not detect the current gear, the screen will indicate "----" and flash.



### Gear learning setting

**WARNING!** To avoid improper gear reading, make sure the motorcycle is on neutral position before entering the gear setting mode.



**STEP 1**

- Start the engine and put the motorcycle on neutral position. Press the button for 3 seconds in order to enter the gear setting mode. The screen will then flash. Press the button briefly to enter the learning mode. The main screen will now switch to 1 and flash.

**STEP 2**

- Put the motorcycle on 1st gear and start riding the motorcycle slowly until the meter detects the 1st gear. Once it has detected the 1st gear, the screen will automatically switch to number 2 and flash.

**STEP 3**

- Put the motorcycle on 2nd gear and ride the motorcycle until the meter detects the 2nd gear. Once it has detected the 2nd gear, the screen will automatically switch to number 3 and flash.

**STEP 4**

- Put the motorcycle on 3rd gear and ride the motorcycle until the meter detects the correct gear. Once the meter has detected the 3rd gear, the screen will automatically switch to number 4 and flash.

**STEP 5**

- Put the motorcycle on 4th gear and ride the motorcycle until the meter detects the correct gear. Once the meter has detected the 4th gear, the screen will automatically switch to number 5 and flash. And so on until the 6th gear.

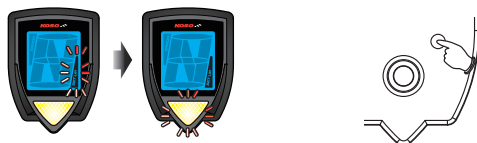
**STEP 6**

When the main screen displays the number 6 and your motorcycle has only 5 gears, slow down and wait until the meter goes back to the previous gear. Once the gear learning session is done, the meter will go up to the number 8 and flash. Learning session is complete.

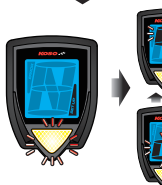
### Pre-shift light setting



- Put the meter in pre-shift light setting (see point 4-1).



The shift light will now become amber to indicate you are in the pre-shift light setting.

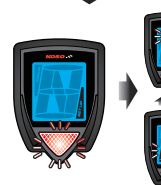


- Once you are in the pre-shift light setting, start the engine and put the motorcycle in neutral position. Increase the RPM of the engine until it reaches half the RPM value you wish to set, then press the button to set the pre-shift light value.
- EX. If you wish to set the pre-shift light at 5000 RPM, rev the engine at half the value (2500 RPM) and push the button to set the value.

### Shift light setting



- Press the meter in shift light setting (see point 4-1). The shift light will now become red to indicate you are in the shift light setting.



- Increase the engine RPM until it reaches half the RPM value you wish to set (value should be higher than pre-shift value), then, press the button to set the shift light value.
- EX. If you wish to set the shift light at 8000 RPM, rev the engine at half the value (4000 RPM) and push the button to set the value.