



# INSTRUCTION



● Thanks for purchasing our cylinder head thermometer. Before operating this unit, please read carefully the instruction sheet and retain it for future reference.

## ⚠ Notice

1. This meter works on DC 12 volts applications only.
2. For proper installation, please follow the steps in the instruction sheet. Any damages caused by wrong installation shall be imputed to the users.
3. Don't break or modify the wire terminals. To avoid short circuit, do not pull out the wires out of the terminal when installing.
4. Do not disassemble or change any parts.
5. Opening the instrument will void any warranty. Maintenance or should be executed by our professionals.



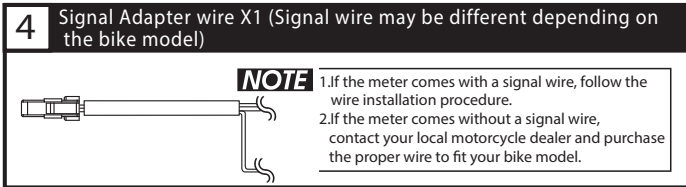
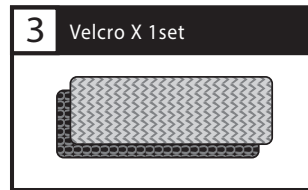
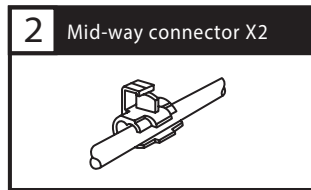
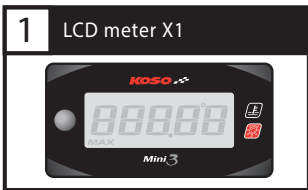
◎ MARK MEANING:

**NOTE** Some procedures must be followed to avoid damages to the instrument.

**⚠ WARNING!** Some procedures must be followed to avoid damages to the instrument.

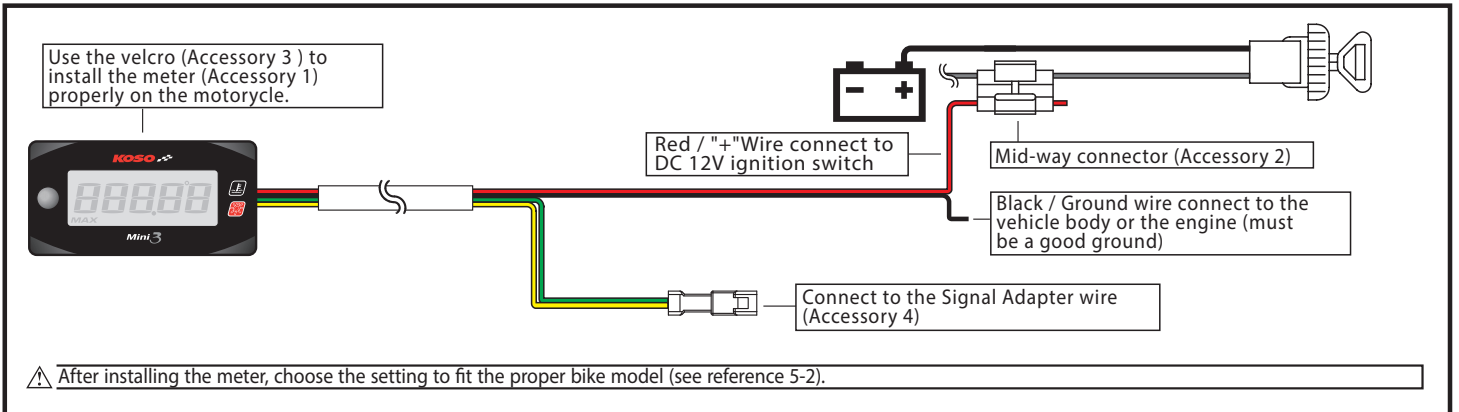
**⚠ CAUTION!** Some procedures must be followed to avoid damages to the vehicle.

## 1-1 Accessories

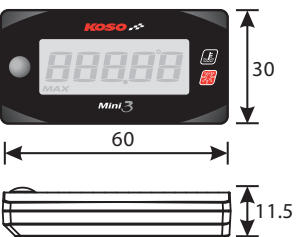


**NOTE** Please contact your local distributor if the items received in the box are not the same as the one listed above.

## 2 Wiring installation instruction



## 3 Basic function instruction



● Temperature & Max. temperature record	Display range: t-1 - -20~200°C (-4~392°F) t-2 - -40~185°C (-40~365°F) t-3 - -20~220°C (-4~428°F) t-4 - -20~200°C (-4~392°F) t-5 - -20~120°C (-4~248°F)
● Temperature type	Display unit: 0.1°C (°F)
● Effective voltage	Display unit: t-1~t-5
● Effective temperature range	DC 12V
● Meter standard	-10~60°C (14~140°F)
● Meter size (W X L X H)	JIS D 0203 S2
● Meter weight	W60 X L30 X H11.5 mm
	Around 22g

**NOTE** Design and specifications are subject to change without notice.

## 4 Basic function instruction



- In the main screen, Press the button once to enter the Max. Record screen.
- EX. Now the displayed temperature is 185.0°C.



- In Max. Record screen, press the button once to enter the main screen.
- EX. Now the Max. Record displayed is 220.0°C.
- Hold the button for 3 seconds to reset the Max. record.



⚠ Now the MAX display is flashing!



- Back to main screen.

## 5 Entering setting screen



- Change the temperature from °C to °F.

### 5-1 Temperature unit setting instruction



- Press the button once to switch the temperature unit between °C and °F.



⚠ Now the setting is flashing!

### 5-2 Setting instruction



- Pressing the button for 3 seconds to enter the setting screen.
- EX. Now the temperature is displayed in °F.



- Press the button for 3 seconds to return the main screen.
- EX. Now the setting is at t-2.

- Press the button to change the setting value.



⚠ Now the setting is flashing!

**NOTE** Displayed range: t-1~t-5.



- Back to main screen

⚠ If no button has been press for 30 seconds, the screen will automatically return to the main screen.

## 6 Model Category reference

YAMAHA	GTR	t-1	HONDA	SH-mode	t-2
	BWS	t-1		PCX 125 (esp)	t-2
	CUXI	t-1		PCS 150	t-2
	CYGNUS	t-1		LEAD 125	t-2
	S-MAX	t-5		MSX	t-2
SYM	RX 110	t-2	Dio110	t-2	
KYMCO	RACING 150	t-3	ZOOMER-X	t-2	
	VJR	t-3	GROM	t-2	
	Quannon 150	t-4			

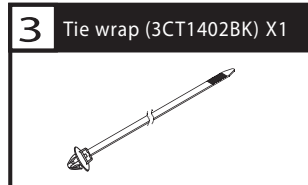
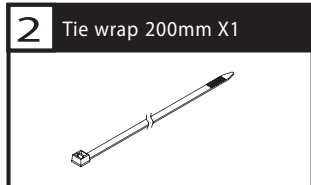
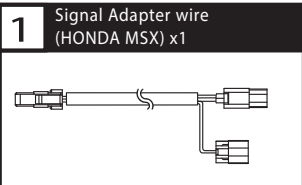
## 7 Trouble shooting

The following points do not necessarily indicate malfunction of the meter. Please check the followings before taking it in for repair or maintenance.

Trouble	Check item
The meter doesn't power ON.	<ul style="list-style-type: none"> <li>● The power is not supply correctly to the meter.                             <ul style="list-style-type: none"> <li>→ Make sure the wires are connected properly.</li> <li>Check if the wiring and fuse are not broken.</li> </ul> </li> </ul>
Temp dose not appear or appear incorrectly.	<ul style="list-style-type: none"> <li>● Please check the sensor.                             <ul style="list-style-type: none"> <li>→ Is the wires or temperature sensor broken?</li> </ul> </li> </ul>

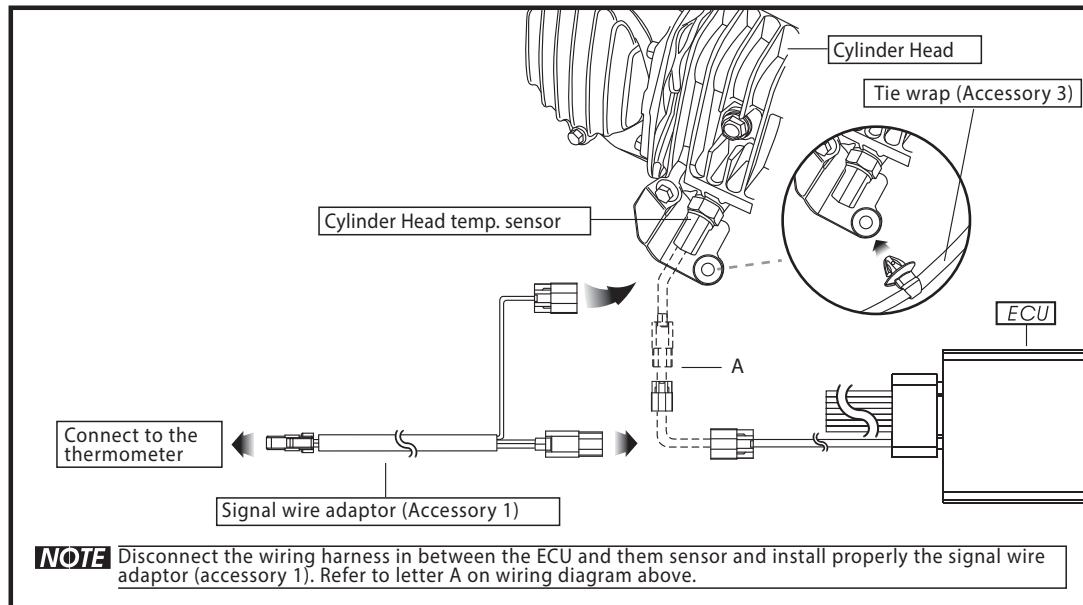
※ If the problems still can't be solve, please contact your local distributor to get assistance.

## 1 Accessories



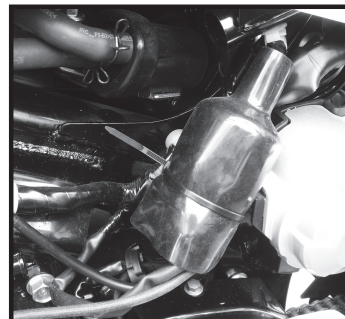
**NOTE** Please contact your local distributor if the items received in the box are not the same as the one listed above.

## 2 Wiring installation instruction



**NOTE** Disconnect the wiring harness in between the ECU and them sensor and install properly the signal wire adaptor (accessory 1). Refer to letter A on wiring diagram above.

## 3 Tie wrap installation



**NOTE**  
Make sure the connection between the main harness and Accessory 1 is properly made. Put the harness into the rubber cover and use the tie wrap to secure everything in place.