

IN60-0252RB



Installation Instructions

60-0252RB Suzuki GSXR1000 Clutch Cover Protector

1) Attach the 60-5252 puck base to the Woodcraft cover with the 8x16mm bolt provided.
IMPORTANT - Use BLUE THREADLOCKING COMPOUND on this bolt.

2) Remove the right side fairing to completely expose the OEM clutch cover.

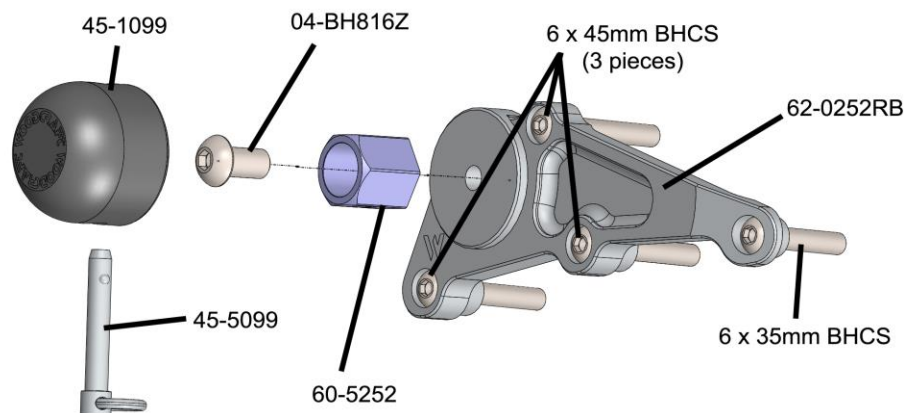
3) Remove the 4 OEM bolts from the stock locations shown in the photo at the bottom.

4) Install the Woodcraft cover using the included mounting hardware in the 4 locations shown at the right. The short 6x35mm bolt goes in the bottom right corner. Torque for these mounting bolts is about 7 ft-lbs.

5) Install the slider puck and quick release pin on the puck base. There is a small dot on one side of the puck by the hole. The dot should be on the opposite side of the puck as the ring for the pin.

6) Re-install the right side fairing.

7) Start the motorcycle, allow it to get up to full temperature and inspect for any leaks before riding.



WARNING

Installation of Woodcraft Billet Covers involves removal and reinstallation of certain factory components such as fasteners, alternator stators and oil-retention gaskets. **FAILURE TO INSTALL THESE COMPONENTS IN COMPLIANCE WITH ALL SPECIFIC INSTRUCTIONS SUPPLIED WITH BILLET COVER KIT, MAY CAUSE OIL LOSS OR DAMAGE TO ENGINE RESULTING IN LOSS OF CONTROL OF MOTORCYCLE AND SERIOUS INJURY OR DEATH.**