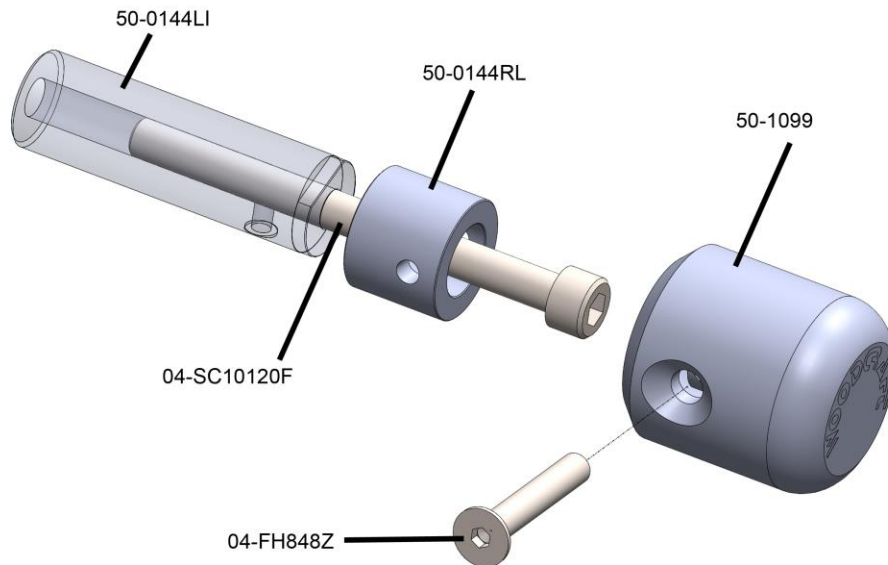


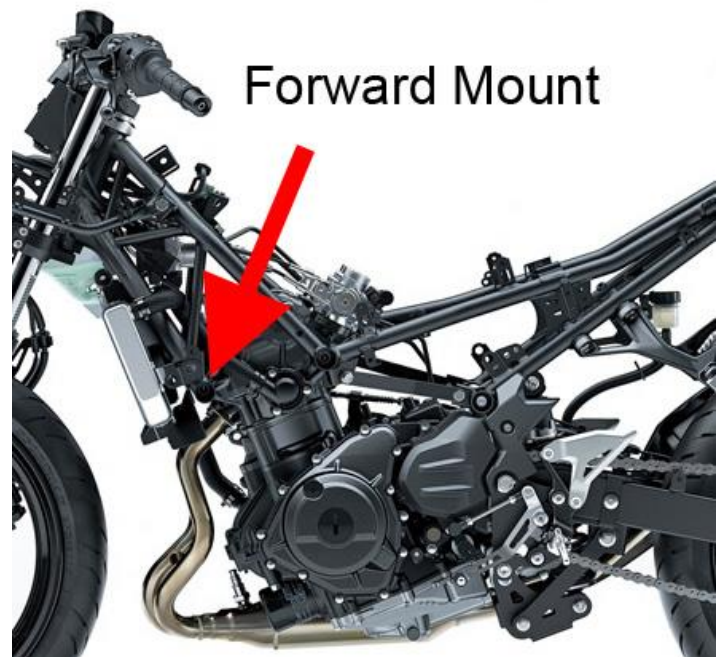
50-0144 Kawasaki Ninja 400 Race Frame Slider Kit

Before the installation of this kit, remove your fairings on both sides. This kit is designed for the racetrack and is to be used with aftermarket bodywork. With the 50-1099 puck this is a traditional kit with a puck that sits outside the fairing. With a 50-1599 puck this kit can be set up as an “under body” kit that sits behind the bodywork.

Left Side Frame Slider Installation Instructions



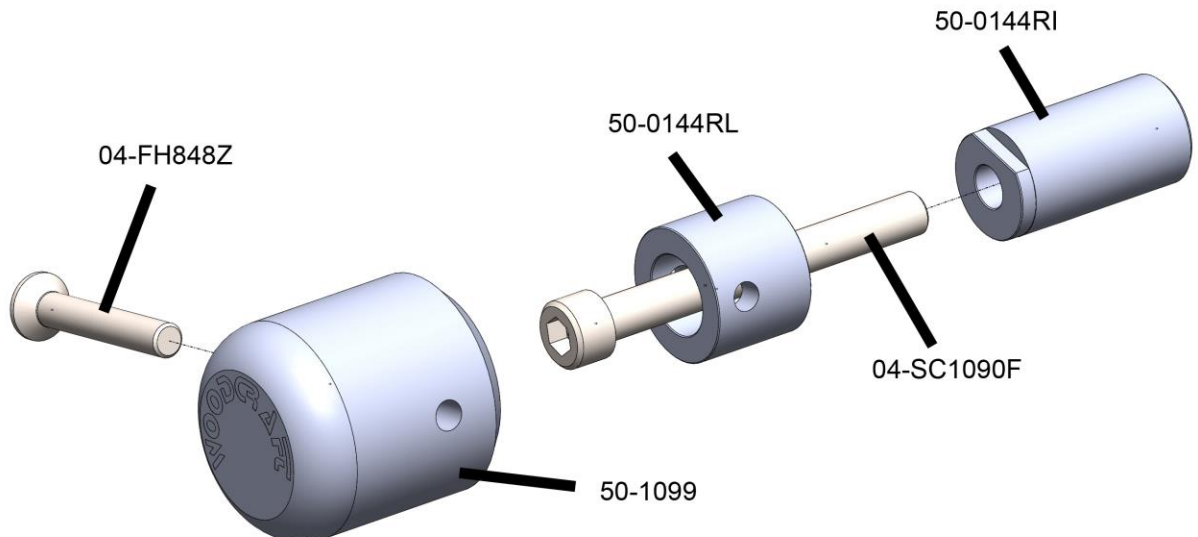
1. Remove your OEM motor mount bolt on the left side. The sliders use the forward-most engine mount location on both sides of the motorcycle. Attention: there is a spacer between the frame and the engine that you will re-use during installation of the Woodcraft Frame Slider Base.
2. Take your finger and feel the inside of the engine mount tube that you just removed the bolt. Where the frame is welded together, many Ninja 400's have excessive “slag” on the inside of the tube. Take the supplied grinding bit and grind these imperfections smooth. This will allow for a nice, tight fit for the Woodcraft 50-0144LI base and will give you the strongest slider mount possible.
3. Inserting the 50-0144LI base in the tube. EXPECT A VERY TIGHT FIT. Gently tap the base in with a soft faced hammer. If it does not go in all the way, then use the 04-SC10120F bolt to draw it all the way in to the bottom. When fully bottomed out, the flat on the end of the base will be exposed and the end of the base will stick out of the frame tube by 5-6mm.



4. Make sure that the OEM spacer is between the frame and the engine mount. Slide the 50-0144RL base over the 04-SC10120F bolt and put a dab of anti-seize on the end of the bolt. Torque the 04-SC10120F bolt to 32 ft-lbs.
5. You will need to cut a 2" hole in the bodywork for the frame slider pucks. You will first have to drill a 2-inch hole for the frame sliders. Start by tracing the circle of the frame slider base against the inside of the bodywork to find the center. Mark the hole and drill a small pilot hole (smaller than the center drill of a 2-inch hole saw if that is your tool of choice).
6. Once you have found the center either cut the hole with a 2 inch hole saw or you can cut an undersized hole and slowly enlarge it with a drum sanding bit on a dremel tool (for those concerned with making a mistake with the larger hole saw).
7. Bolt the puck to the 50-0144RL base using the 04-FH848Z bolt. Hand tighten this bolt using a standard allen wrench.
8. Re-install the lower fairing. The slider puck will sit in the opening for the OEM fairing.

Right Side Frame Slider Installation Instructions

1. Repeat steps 1-9 above for the right side, using the assembly parts show below



IMPORTANT

Tighten all fasteners to specification in these instructions or industry standard. FAILURE TO PROPERLY TIGHTEN ALL FASTENERS MAY CAUSE DAMAGE TO THE MOTORCYCLE, LOSS OF CONTROL AND SERIOUS INJURY OR DEATH. DO NOT INSTALL OR USE THIS PRODUCT IF YOU ARE UNABLE TO DO SO IN COMPLIANCE WITH ALL INSTRUCTIONS AND WARNINGS. SEEK THE ASSISTANCE OF A TRAINED PROFESSIONAL TECHNICIAN.