

WOODCRAFT CFMOTORSPORTS

105 Baldwinville Rd. Winchendon, MA 01475
(978)297-2977

2017 Aprilia RSV4 / Tuono V4 GP Shift Rearset Instruction Sheet – Racing Use Only

Thank you for selecting CFMOTORSPORTS rearsets. The components you have just purchased for your motorcycle are designed to improve the ground clearance, crash worthiness and overall good looks of your motorcycle. Please note that these components are intended and approved for **racing use only**. As such, the footpegs are solid-mount and provisions for brake light switches are not provided with the kit.

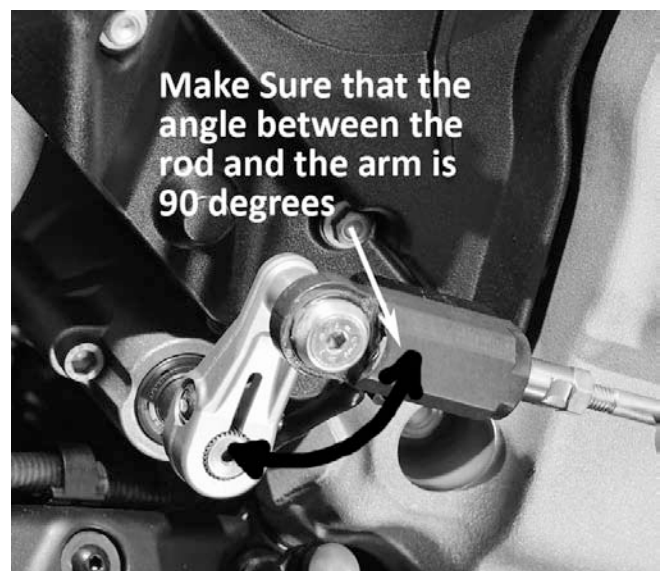
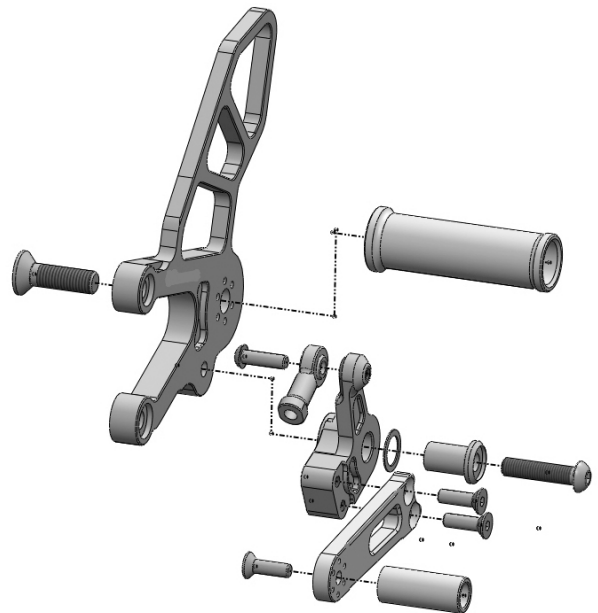
- 1) Remove stock rearsets, footpegs and associated hardware. All components that are re-used in this kit should be cleaned and inspected for damage before re-installation.

IMPORTANT

Tighten all fasteners to factory specification or industry standard. You must use also Threadlocking compound in ALL instances where it is directed below. **FAILURE TO PROPERLY TIGHTEN ALL FASTENERS OR USE THREADLOCKING COMPOUND MAY CAUSE DAMAGE TO THE MOTORCYCLE, LOSS OF CONTROL AND SERIOUS INJURY OR DEATH.**

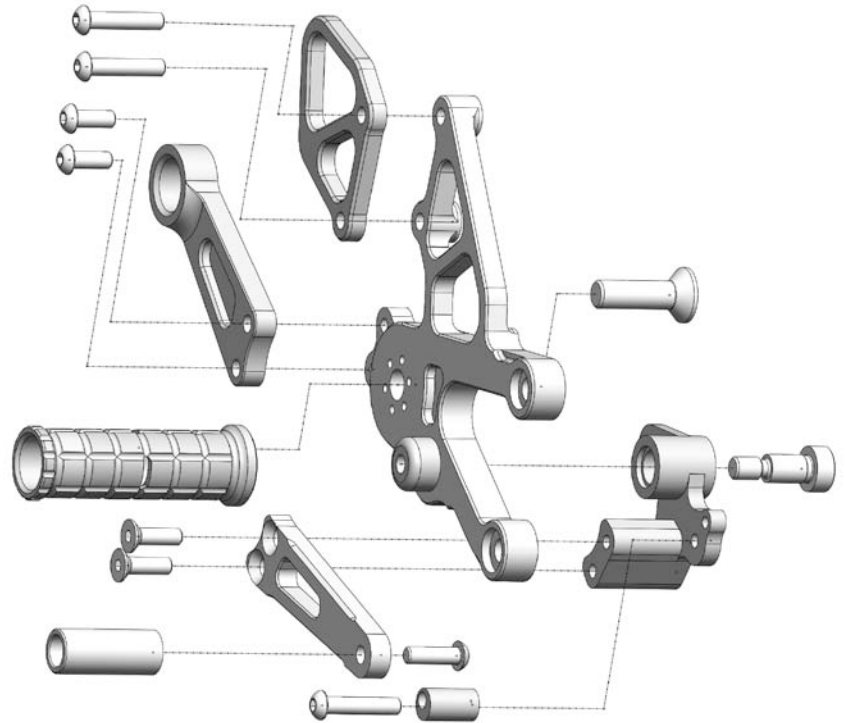
Shift Side Assembly Installation

- 1) Bolt the CFM footpeg to the bracket using the included 10mm hardware. Rotate the eccentric to the desired foot position and note the hole location – be sure to put both pegs in the same location. **IMPORTANT** – Once you have determined the final location, secure the footpeg bolt with **threadlocking compound**.
- 2) **SHIFT PEDAL:** Assemble the 08-1145 shaft to the 08-0741 shift pivot using **threadlocking compound** and the 6 x 20mm flat head bolts. Bolt the heim joint on the top of the pivot using **threadlocking compound**. Bolt the pedal tip to the shaft using the 6 x 20mm flat head bolt (final adjustment in step 6).
- 3) Bolt the shift pedal to the bracket using the 05-0712P shift pivot pin and 8x35mm button head bolt. Place the wave washer between the pivot pin and the shift pivot. Be sure to generously apply quality waterproof grease to the sliding surface of the pivot pin to ensure smooth lever operation. Secure the bolt with **threadlocking compound**.
- 4) Bolt the shift bracket assembly to the frame using the OEM bolts.
- 5) **Shift Knuckle & Shift Rod.** After installing the main bracket, check to see that the shift knuckle is perpendicular to the shift rod (this is very important). You will need to move it from the stock position. Once it is in the proper place, tighten the pinch bolt at the bottom of the knuckle.
- 6) Using a combination of the eccentric toe peg and the OEM shift rod adjustment, bring the shift pedal to your desired height. Be sure to tighten both lock nuts on the shift rod. Adjust the lever tip to the position where the distance from the peg to the lever tip is most comfortable and then secure the pedal tip with **threadlocking compound**.



Brake Side Assembly Installation

- 1) Bolt the CFM footpeg to the bracket using the included 10mm hardware. **IMPORTANT** - Secure bolt with **threadlocking compound**. Rotate the eccentric to the same location as the shift side.
- 2) Assemble the pivot, main shaft and tip of the CFM brake pedal using a **threadlocking compound** on all of the bolts. Install the brake pedal to the backside of the bracket using the OEM hardware. Be sure to generously apply quality waterproof grease to the sliding surface of the pivot in order to ensure smooth lever operation. Secure the bolt with **threadlocking compound**.
- 3) Bolt the heel guard (CFM or OEM) and master cylinder in place using the 6x30mm button head bolts. The master cylinder sits directly against the back side of the bracket.
- 4) Attach the master cylinder clevice to the brake pedal using the OEM brake pin.
- 5) Bolt the CFM eccentric stop to the brake pivot using the 6 x 30mm button head bolt.



- IMPORTANT** – the brake pedal **MUST** have some play in it. Test this without the return spring. Push the pedal all the way up to that the eccentric contacts the bracket, then push down on the pedal and note that there must be a few millimeters of downward travel before the plunger begins to actuate the rear brake. **IMPORTANT** - the eccentric should be oriented so that the contact with the bracket will tend to tighten the bolt. This means that the thick side of the eccentric should always be to the right side of the bolt. Once you have found the proper position for the eccentric, secure the bolt with threadlocking compound.
- 6) You may optionally attach the OEM pedal return spring by using the stock spring return pin (it bolts to the back side of the bracket just rearward of the upper mount) and the loop on the CFM brake pivot.
 - 7) Bolt the brake bracket loosely to the frame using the OEM hardware
 - 8) (If needed) Install the OEM Aprilia rubber exhaust damper and spacers in the CFM exhaust mount. A small amount of grease can help this procedure. Loosely install the main exhaust bolt and the two 6x16mm bracket mount bolts. Tighten the main bracket mounting bolts and the exhaust mount bolt. Remove the 2 small exhaust bracket mounts one at a time and secure them both with **threadlocking compound**.

BE SURE THAT ALL COMPONENTS OPERATE AND RETURN FREELY BEFORE USE

If you have any questions regarding installation, please feel free to contact us.

IMPORTANT Installation and use of this product will change the response of the motorcycle to rider control inputs. Failure of the rider to adapt to these changes may result in a loss of control, and serious injury or death. Improper installation and/or failure to comply with all warnings and instructions may cause a loss of control and serious injury or death. **DO NOT INSTALL OR USE THIS PRODUCT IF YOU ARE UNABLE TO DO SO IN COMPLIANCE WITH ALL INSTRUCTIONS AND WARNINGS. SEEK THE ASSISTANCE OF A PROFESSIONAL TECHNICIAN.**