

**FOR OFF ROAD/RACE USE ONLY!**



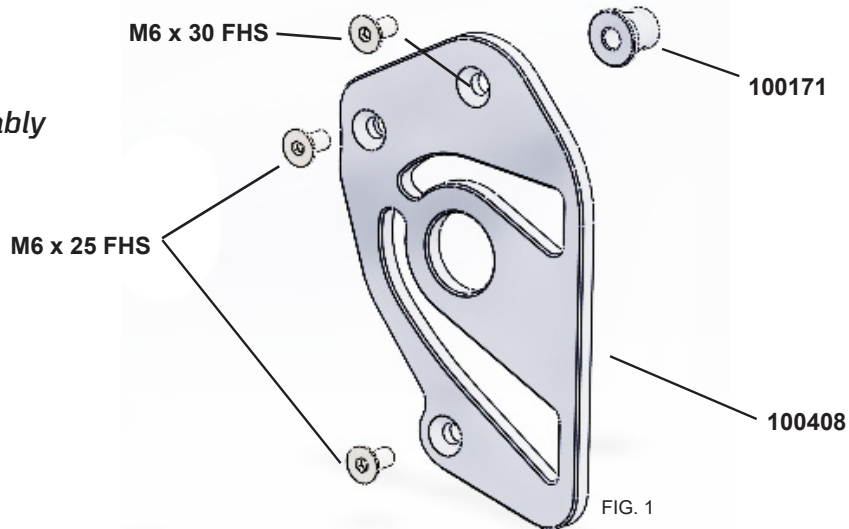
*Driven Racing 2016 Kawasaki Z125 Sprocket Cover*

*Part#:DKZ-023*

**INSTALLATION INSTRUCTIONS**

1. Remove OEM sprocket cover using an 8mm wrench
2. Install new cover using bolts and spacer (see Fig. 1).
3. Apply blue Loctite on bolts
4. Install screws torque to 6ft/lbs

**Z125 Sprocket Cover Assembly**



**THIS PRODUCT IS INTENDED TO BE INSTALLED BY A CERTIFIED TECHNICIAN\***

**FOR OFF ROAD/RACE USE ONLY!**



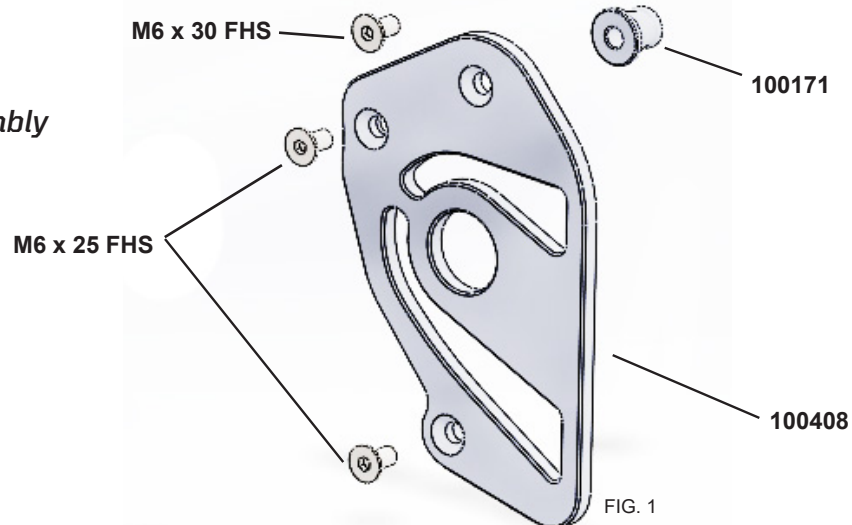
*Driven Racing 2016 Kawasaki Z125 Sprocket Cover*

*Part#:DKZ-023*

**INSTALLATION INSTRUCTIONS**

1. Remove OEM sprocket cover using an 8mm wrench
2. Install new cover using bolts and spacer (see Fig. 1).
3. Apply blue Loctite on bolts
4. Install screws torque to 6ft/lbs

**Z125 Sprocket Cover Assembly**



**THIS PRODUCT IS INTENDED TO BE INSTALLED BY A CERTIFIED TECHNICIAN\***