



THANK YOU FOR PURCHASING "KOSO EGT METER", LED NIGHT-BACK-LIGHTED, MULTI-FUNCTION IN ONE, EASY-WIRING, CLEAR-CONT-ROLLING AND EASY-USING.

**⚠ ATTENTION**

1. THE LCD METER IS APPLY FOR AC AND DC 12V
2. EFFECTIVE RANGE : 100°C~1200°C (250°F~2100°F) ◦
3. FOR INSTALLATION, PLEASE FOLLOW THE STEPS DESCRIBED IN MANUAL. ANY DAMAGE CAUSED BY WRONG INSTALLATION SHALL BE IMPUTED TO THE USERS.
4. DO NOT DISASSEMBLE OR CHANGE ANY PARTS EXCLUDING THE MANUAL DESCRIPTION.
5. THE INTERIOR EXAMINATION OR MAINTENANCE SHOULD BE EXECUTED BY OUR PROFESSIONALS.

**MARK MEANING**

**NOTE** YOU COULD GET THE INSTALLATION DETAILS FROM THE INFORMATION BEHIND THE MARK.

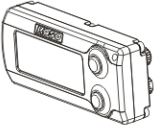

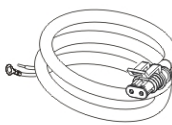

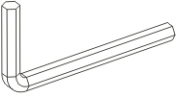
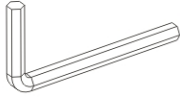


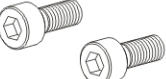


**⚠** SOME PROCESSES MUST BE FOLLOWED TO AVOID THE AFFECTION CAUSED BY WRONG INSTALLATION.

**⚠ WARNING!** SOME PROCESSES MUST BE FOLLOWED TO AVOID DAMAGES TO YOURSELF OR THE PUBLIC.

**⚠ CAUTION!** SOME PROCESSES MUST BE FOLLOWED TO AVOID THE DAMAGE TO THE VEHICLE.

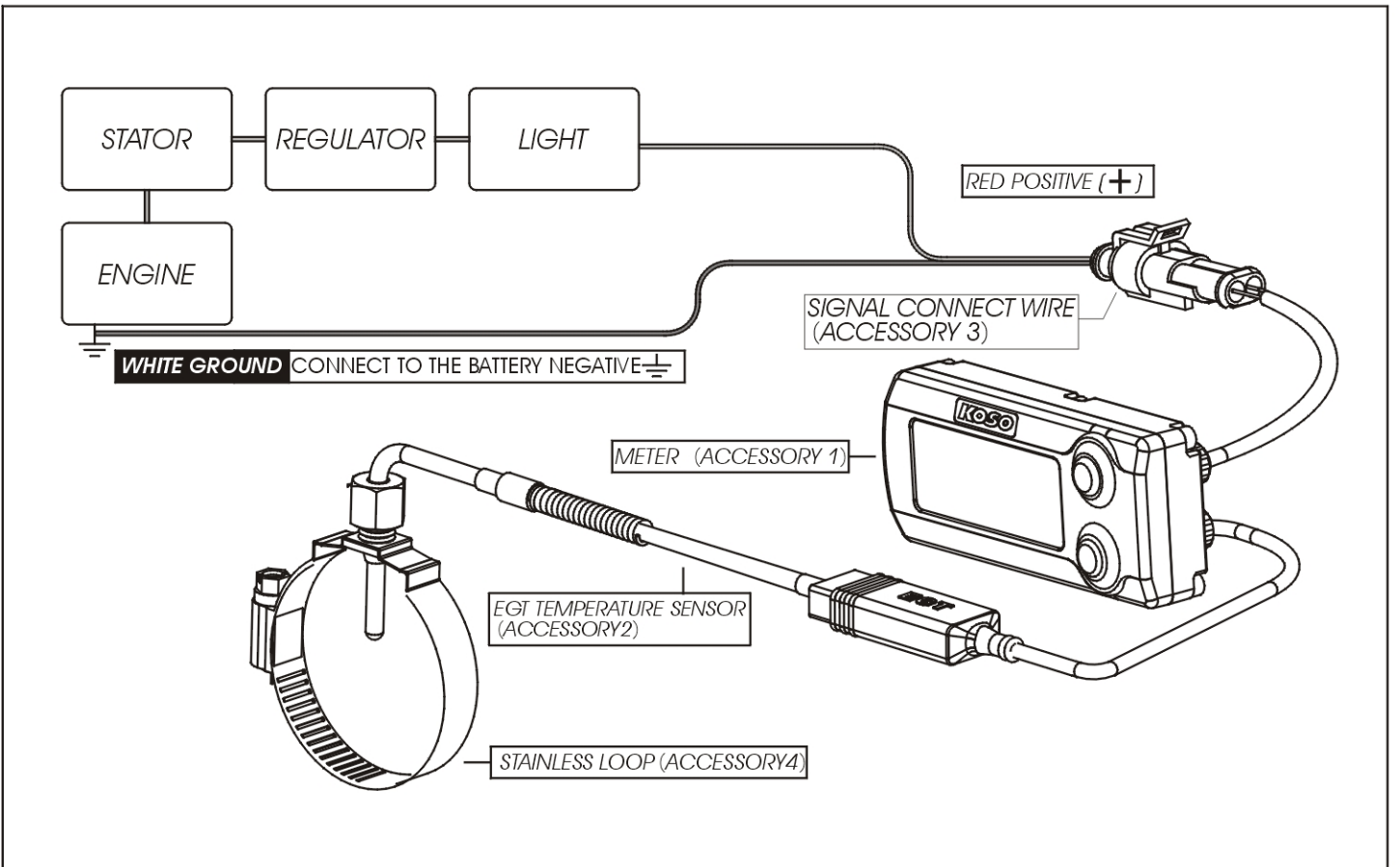


**1 ACCESSORY**

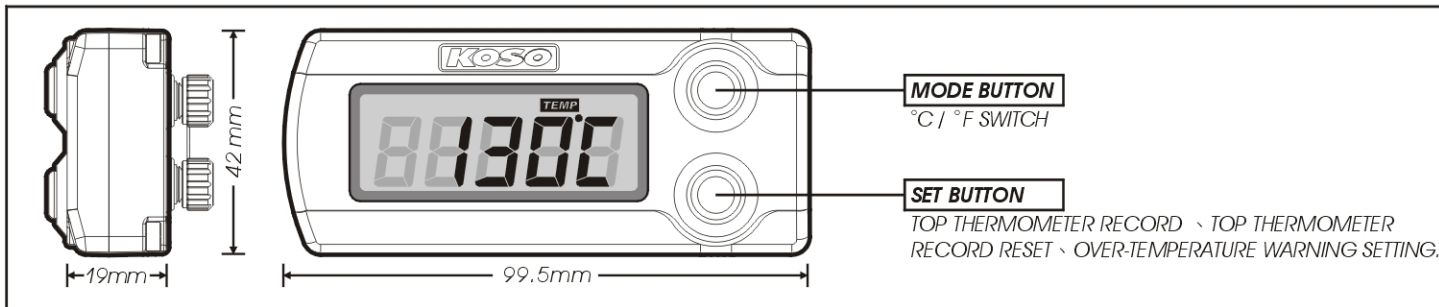
<p><b>1</b> METER X1</p> 	<p><b>2</b> EGT TEMPERATURE SENSOR X1</p> 	<p><b>3</b> MAIN WIRE X1</p> 	<p><b>4</b> STAINLESS LOOP X1</p> 
<p><b>5</b> M3 SPANNER X1</p> 	<p><b>6</b> M4 SPANNER X1</p> 	<p><b>7</b> M5 WASHER X2</p> 	<p><b>8</b> M5 GASKET X2</p> 
<p><b>9</b> M5XP0.8X18L_SCREW X2</p> 	<p><b>10</b> METER BRACKET X1</p> 	<p><b>11</b> VELCRO X1</p> 	

PS: PLEASE CONTACT US IF THE ITEMS YOU OPEN ARE NOT THE SAME, WITH THE ABOVE-LISTED ONES.

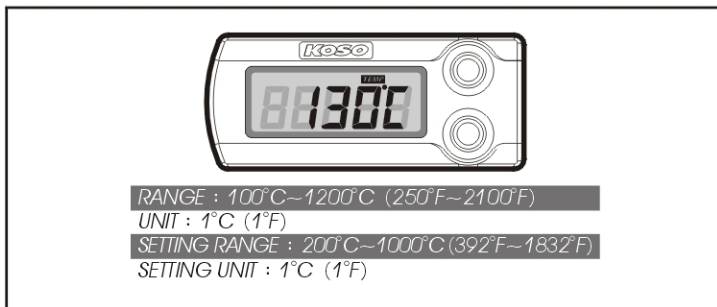
**2 INSTRUCTION OF WIRING-INSTALLATION**



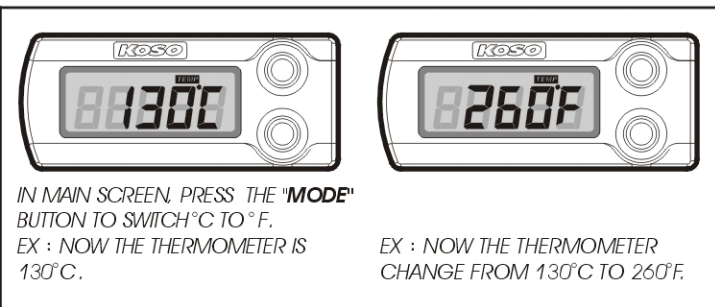
### 3 THE METER SIZE INSTRUCTION.



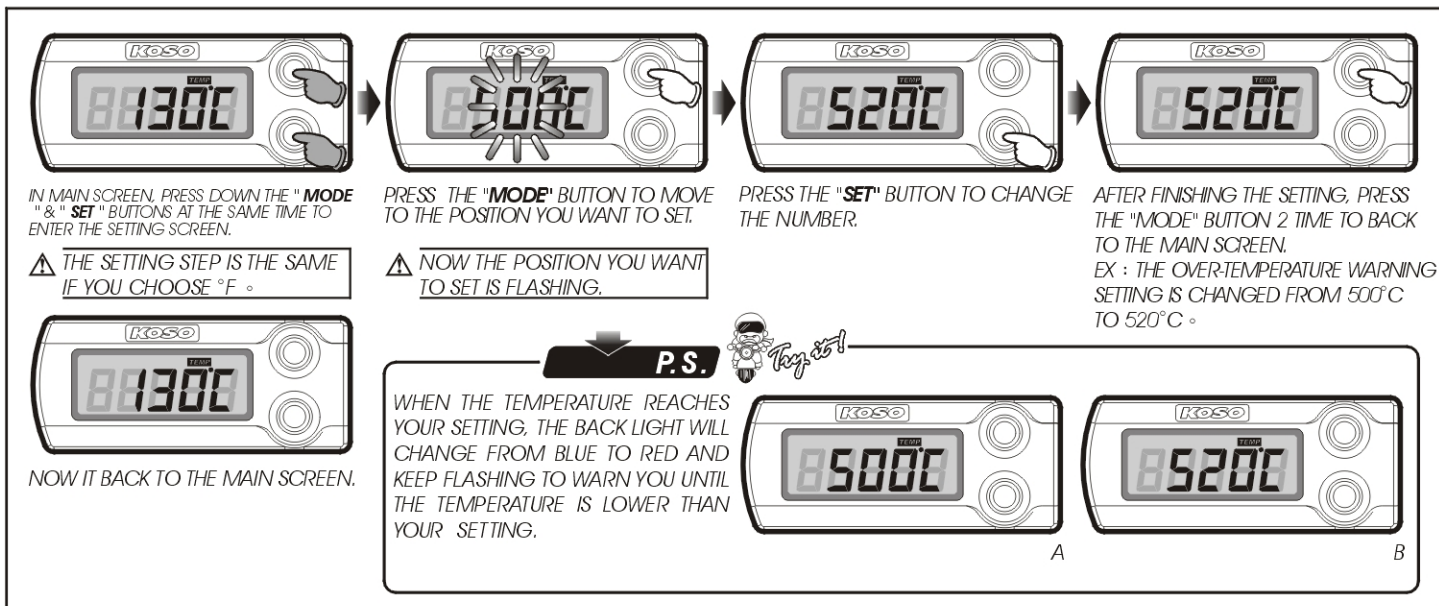
### 4 BASIC FUNCTION.



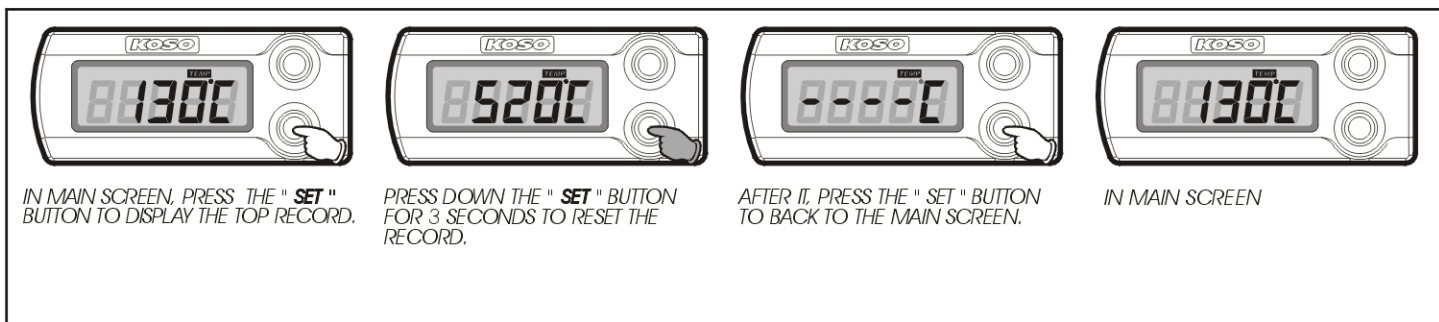
### 5 SCREEN SWITCH FUNCTION



### 6 OVER-TEMPERATURE WARNING SETTING INSTRUCTION.



### 7 THE TOP RECORD DISPLAY AND RESET.



### 8 TROUBLE SHOOTING.

