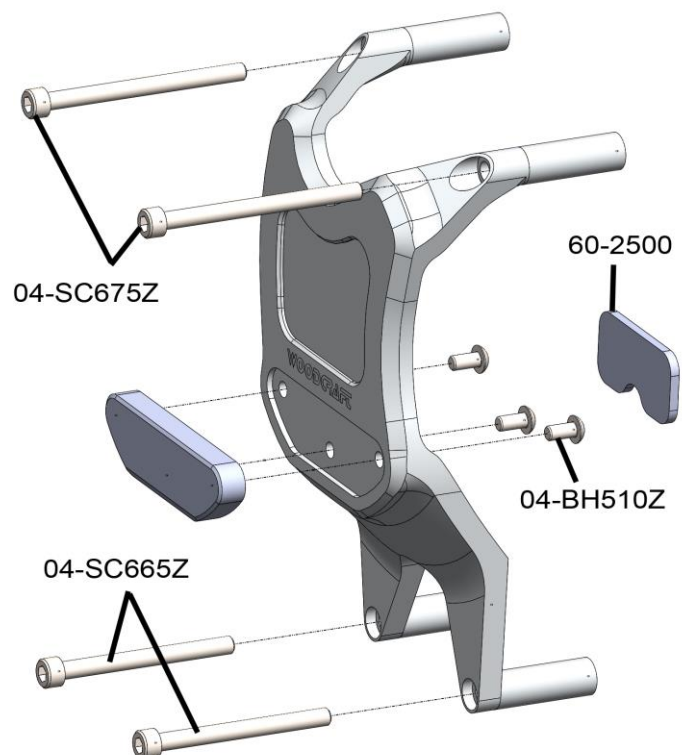
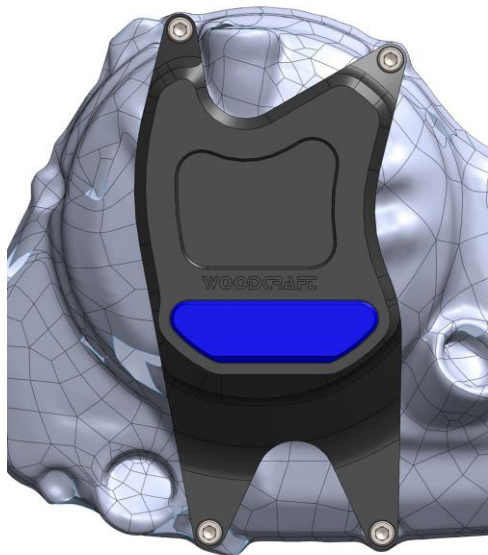




### Installation Instructions

#### 60-0403RC Yamaha R3 Clutch Cover Protector

- 1) Attach the skid plate to the Woodcraft cover by bolting it from the inside. **IMPORTANT** - Use **BLUE THREADLOCKING COMPOUND** on the 04-BH510Z skid plate mounting bolts. Coat the threads completely and allow the threadlocking compound to fully set before use.
- 2) Adhere the 60-2500 rubber pad to the matching pocket on the back side of the cover.
- 3) Install the Woodcraft cover using the included mounting hardware in the 4 locations shown at the right. Torque for these mounting bolts is about 7 ft-lbs.
- 4) Start the motorcycle and inspect for any leaks before riding.



### **WARNING**

Installation of Woodcraft Billet Covers involves removal and reinstallation of certain factory components such as fasteners, alternator stators and oil-retention gaskets. **FAILURE TO INSTALL THESE COMPONENTS IN COMPLIANCE WITH ALL SPECIFIC INSTRUCTIONS SUPPLIED WITH BILLET COVER KIT, MAY CAUSE OIL LOSS OR DAMAGE TO ENGINE RESULTING IN LOSS OF CONTROL OF MOTORCYCLE AND SERIOUS INJURY OR DEATH.**