



Fender Eliminator Kit

APPLICATION

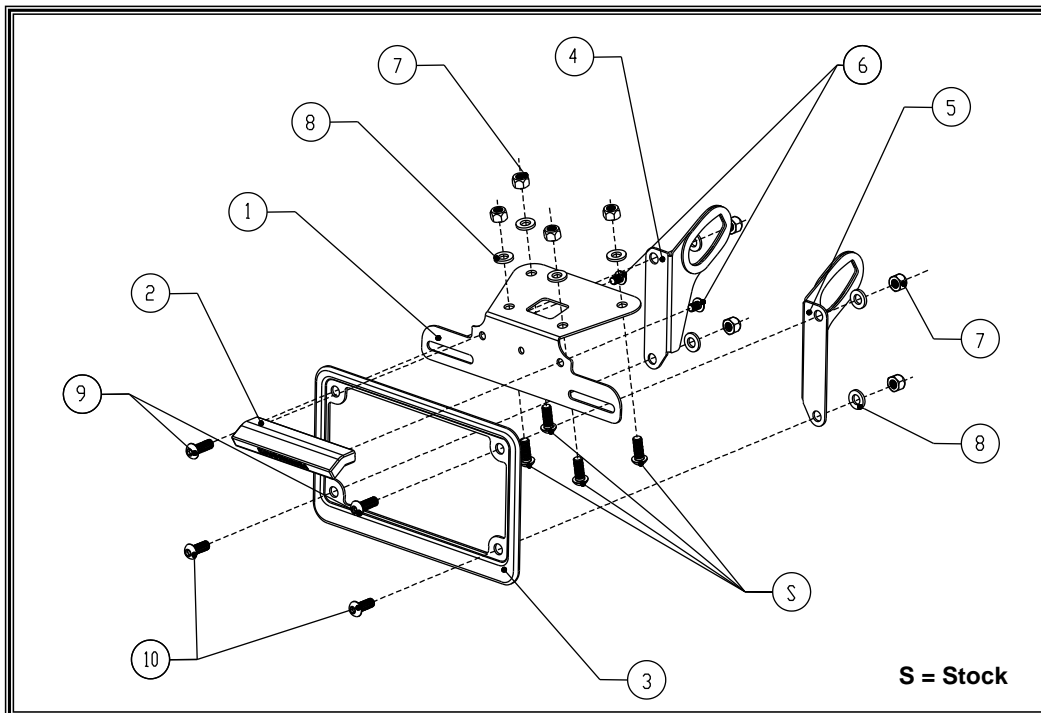
MAKE	MODEL
Kawasaki	Ninja 300

PRODUCT

070BG147000	Fender Eliminator Kit
-------------	-----------------------



This product is not DOT approved. Yoshimura R&D of America, Inc. is not liable or responsible for any resulting event caused by the installation of this product. Check with local laws and regulations for compliance prior to installation and use. This product is not intended for use on public highways.



No.	Part #	Description	Qty
1	14700-FEBKT	Yoshimura Fender Eliminator Bracket	1
2	070BG-LH-K	Yoshimura LED Fender Eliminator Light	1
3	070BG-LPF	Yoshimura Aluminum License Plate Frame	1
4	14650-TSL-BKT	Left Turn Signal Bracket	1
5	14650-TSR-BKT	Right Turn Signal Bracket	1
6	M4X6BHS	4mm x 6mm Button Head Screw	2
7	6MMLN	6mm Lock Nut	8
8	6MMWASHER	6mm Washer	8
9	M6X16BHS	6mm x 16mm Button Head Screw	2
10	M6X14BHS	6mm x 14mm Button Head Screw	2
**	94785-01-ND	Butt Connectors	2
**	ZT-300	Cable Ties	3
**	17029	Yoshimura Sticker Sheet	1
Optional Parts (not incl.)			
***	070BGUNVTBKT	Universal Turn Signal Bracket Kit	

-TOOLS REQUIRED-

Metric Socket Set • Combination Wrench Set • Metric Allen Wrench Set

-REMOVAL-

1. *Remove passenger and rider seat.*
2. *Lift tray to access license plate light and turn signal wires.*
3. *Locate and disconnect license plate light and turn signal wires.*
4. *While supporting the stock fender assembly, remove the (4) bolts securing fender assembly to chassis.*
5. *Carefully remove fender assembly making sure not to damage connectors.*
6. *Remove stock turn signals from the stock fender assembly.*
Note: All stock turn signal components will be reused with the Yoshimura Fender Eliminator Kit.
7. *Cut the stock license plate light connector from the stock fender. BE SURE TO CUT AT LEAST A 6" SECTION OF WIRE FROM THE CONNECTOR.*

-INSTALLATION-

1. *Using the connectors provided in the kit, connect the Yoshimura Fender Eliminator wires to the stock license plate light connector as follows: Red wire goes to red wire; Black/yellow wire goes to black wire.*
2. *Install stock turn signals onto Yoshimura turn signal brackets using the stock hardware.*
3. *Assemble Yoshimura Fender Eliminator kit using the supplied hardware as shown in the parts diagram.*
4. *Install assembled Yoshimura Fender Eliminator to chassis using the (4) stock bolts in conjunction with hardware supplied in the kit. See diagram for proper orientation and order of hardware.*
5. *Route wiring through hole in bracket, then through tail section to stock location. Connect license plate light connector and turn signal connectors to stock harness.*
6. *Check for function of license plate light and that all brackets and pieces are secure prior to riding.*